



IV Set Essentials

A consistent supply of key infusion products

Simplify standardization with consistent supply

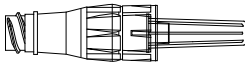
Access to a consistent supply of IV sets is critical for patient care. ICU Medical IV Set Essentials delivers a full portfolio of infusion technologies to help support supply continuity and standardization. With this portfolio, healthcare practitioners can spend more time with patients, and less time figuring out how to incorporate standardization of care within existing workflows. This selection of IV sets complements ICU Medical's comprehensive portfolio of specialty infusion sets with proprietary Clave™ technology.

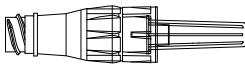
Table of Contents

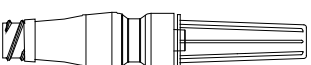
Needlefree Connectors	4
Extension Sets	5
Secondary Set	10
Administration Sets	10
Anesthesia Sets, Stopcocks and Manifolds.....	12
Blood Sets.....	14
Disinfecting Cap.....	15
Renal Systems.....	15



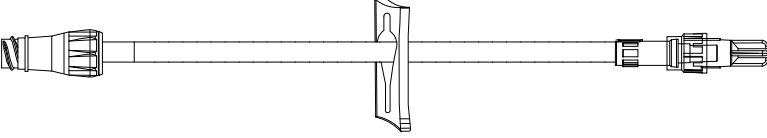
Needlefree Connectors

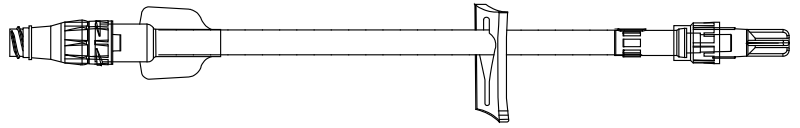
Catalog #	Description	PV	Case Qty
MC100 12512-01	MicroClave™ Clear Neutral Connector	0.04 mL	100
			

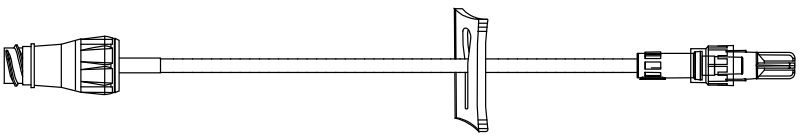
Catalog #	Description	PV	Case Qty
B3300 12568	Clave™ Neutral Connector	0.04 mL	100
			

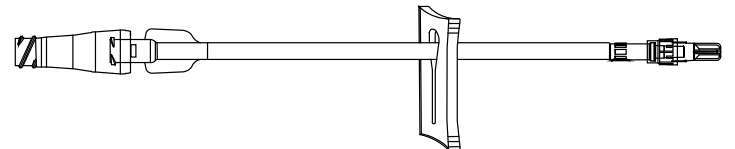
Catalog #	Description	PV	Case Qty
NC100 12595-01	Neutron™	0.06 mL	100
			

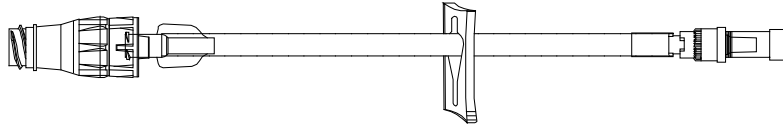
Extension Sets

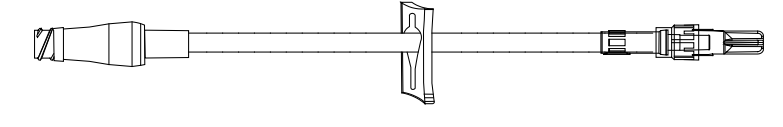
Catalog #	Description	PV	Case Qty
MC33131	7" (18 cm) Appx 0.43 mL, Pressure Infusion (400 psig) Ext Set w/MicroClave Clear, Purple Clamp, Rotating Luer	0.43 mL	50
			

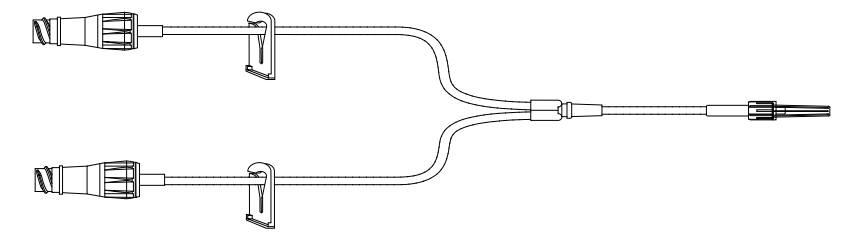
Catalog #	Description	PV	Case Qty
MC33122	7" (18 cm) Appx 0.51 mL, Pressure Infusion (400 psig) Ext Set w/Remv MicroClave Clear, Purple Clamp, Rotating Luer	0.51 mL	50
			

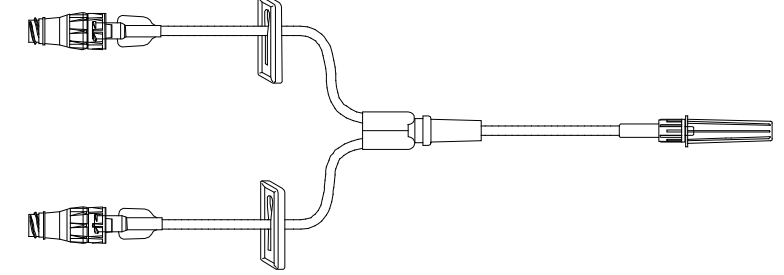
Catalog #	Description	PV	Case Qty
MC33150	7" (18 cm) Appx 0.24 mL, Smallbore Pressure Infusion (400 psig) Ext Set w/MicroClave Clear, Purple Clamp, Rotating Luer	0.24 mL	50
			

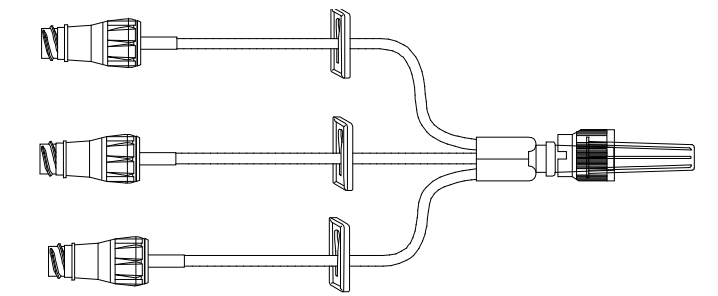
Catalog #	Description	PV	Case Qty
MC33213	7" (18 cm) Appx 0.31 mL, Smallbore Pressure Infusion (400 psig) Ext Set w/Remv MicroClave Clear, Purple Clamp, Rotating Luer	0.31 mL	50
			

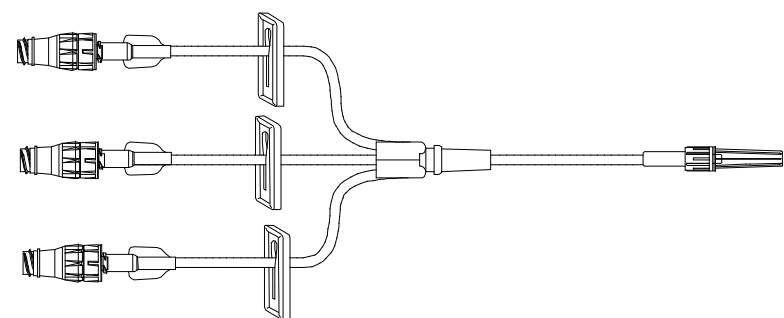
Catalog #	Description	PV	Case Qty
MC33056	7" (18 cm) Appx 0.70 mL Pressure Infusion (400 psig) Ext Set w/Remv MicroClave Clear, Purple Clamp, Rotating Luer	0.70 mL	50
			

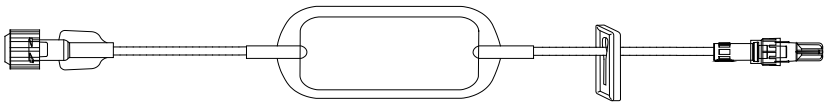
Catalog #	Description	PV	Case Qty
MC3361	7" (18 cm) Appx 0.72 mL, Pressure Infusion (400 psig) Ext Set w/MicroClave Clear, Purple Clamp, Rotating Luer	0.72 mL	50
			

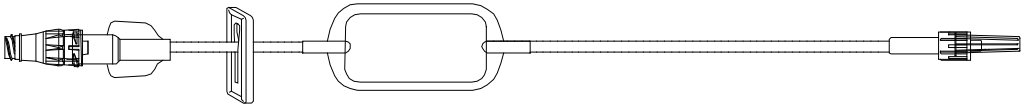
Catalog #	Description	PV	Case Qty
12120	5" (13 cm) Appx 0.29 mL, Smallbore Bifuse Ext Set w/2 Clave, 2 Clamps, Luer Lock	0.29 mL	50
			

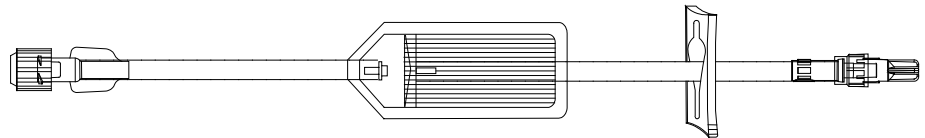
Catalog #	Description	PV	Case Qty
MC33410	5" (13 cm) Appx 0.39 mL, Smallbore Bifuse Ext Set w/2 Remv MicroClave Clear, 2 Clamps, Luer Lock	0.39 mL	50
			

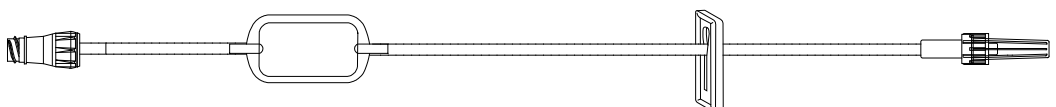
Catalog #	Description	PV	Case Qty
MC33098	4" (10 cm) Appx 0.40 mL, Smallbore Trifuse Ext Set w/3 MicroClave Clear, 3 Clamps, Rotating Luer	0.40 mL	50
			

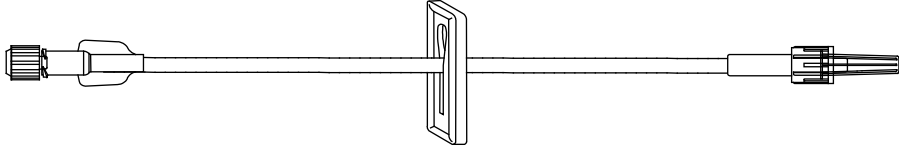
Catalog #	Description	PV	Case Qty
MC33409	5" Smallbore Trifuse Ext Set w/3 Remv MicroClave Clear, 3 Clamps, Luer Lock	0.59 mL	50
			

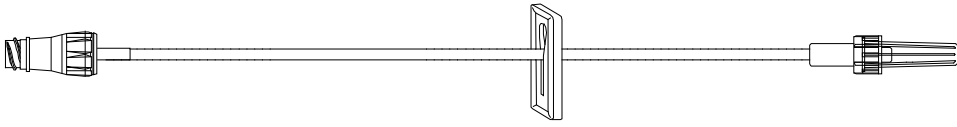
Catalog #	Description	PV	Case Qty
B1434	8" (20 cm) Appx 0.49 mL, Smallbore Ext Set w/0.2 Micron Filter, Clamp, Rotating Luer	0.49 mL	50
			

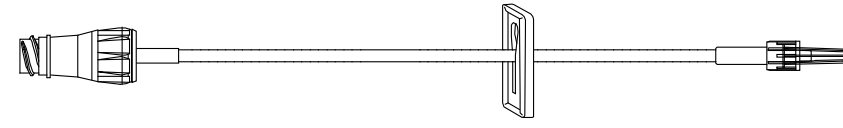
Catalog #	Description	PV	Case Qty
MC33425	60" (152 cm) Appx 0.80 mL, Smallbore Ext Set w/Remv MicroClave Clear, 0.2 Micron Filter, Clamp, Luer Lock	0.80 mL	50
			

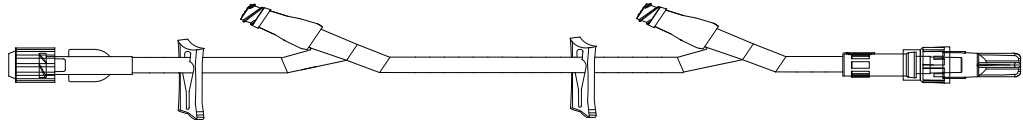
Catalog #	Description	PV	Case Qty
B1115	12" (30 cm) Ext Set w/1.2 Micron Filter, Clamp, Rotating Luer	4.6 mL	50
			

Catalog #	Description	PV	Case Qty
MC330472	60" (152 cm) Appx 1.4 mL, PUR Yellow Smallbore Ext Set w/MicroClave Clear, 1.2 Micron Filter, Clamp, Luer Lock	1.4 mL	50
			

Catalog #	Description	PV	Case Qty
B2020	60" (152 cm) Appx 0.4 mL, Smallbore Ext Set w/Clamp, Luer Lock	0.4 mL	50
			

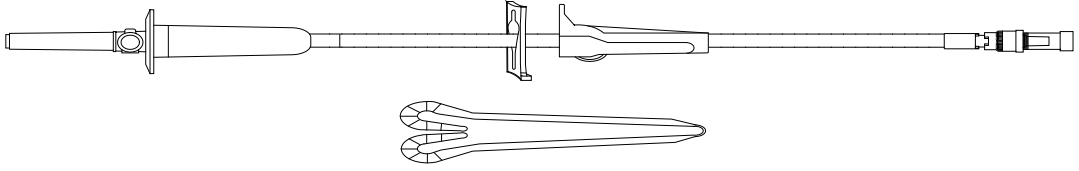
Catalog #	Description	PV	Case Qty
MC33932	60" (152 cm) Appx 1.0 mL, Smallbore Ext Set w/MicroClave Clear, Clamp, Luer Lock	1.0 mL	50
			

Catalog #	Description	PV	Case Qty
MC33383	60" (152 cm) Appx 0.54 mL, Smallbore Ext Set w/MicroClave Clear, Clamp, Luer Lock	0.54 mL	50
			

Catalog #	Description	PV	Case Qty
MC33386	33" Ext Set w/2 Clave Clear, Rotating Luer	4.4 mL	50
			

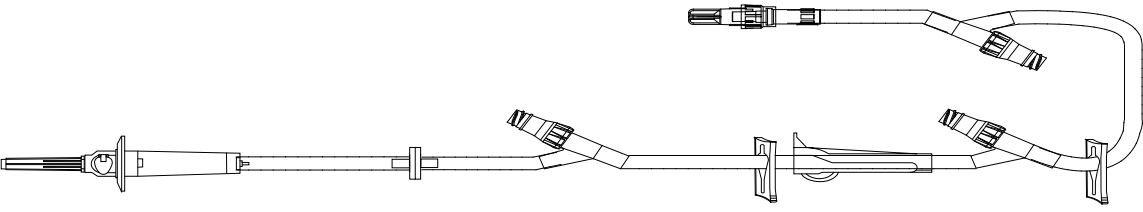
Secondary Set

Catalog #	Description	PV	Case Qty
14230-28	Secondary Set, Secure Lock, with IV Set Hanger, 34 Inch	7.0 mL	50

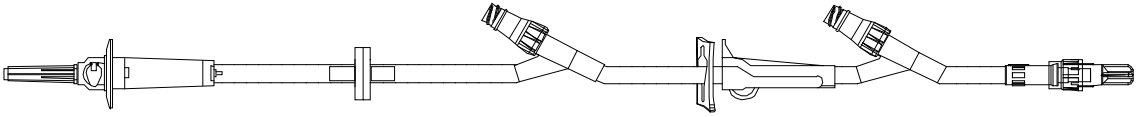


Administration Sets

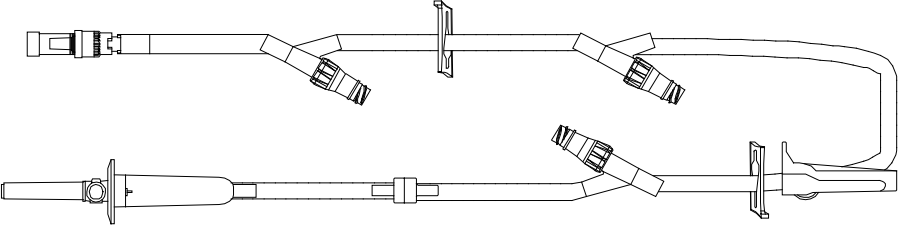
Catalog #	Description	PV	Case Qty
12664-28	100" (254 cm) Appx 12.8 mL, 15 Drop Primary Set w/3 MicroClave, Rotating Luer, Filter Cap	16.0 mL	48



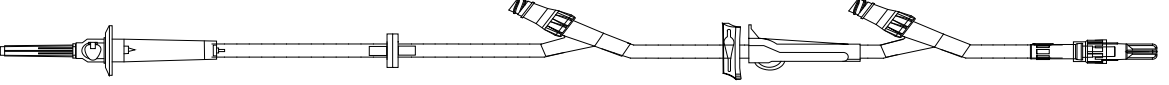
Catalog #	Description	PV	Case Qty
12662-28	Primary Set, Piggyback with Backcheck Valve, 2 Clave Y-Sites, Secure Lock, 100 Inch	16.0 mL	48



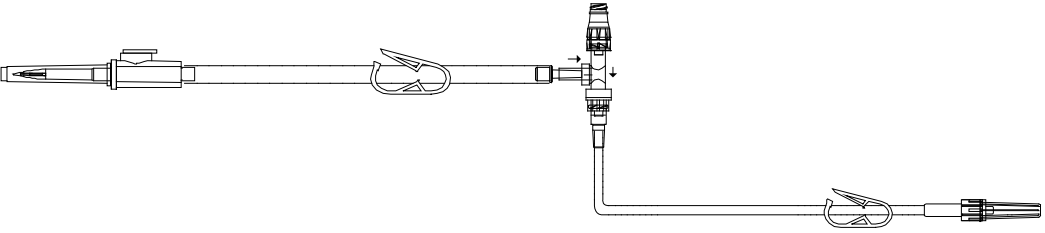
Catalog #	Description	PV	Case Qty
20671-28	Primary Microdrip Set, Piggyback with Backcheck Valve, 3 Clave Y-Sites, Secure Lock, 100 Inch	15.0 mL	48

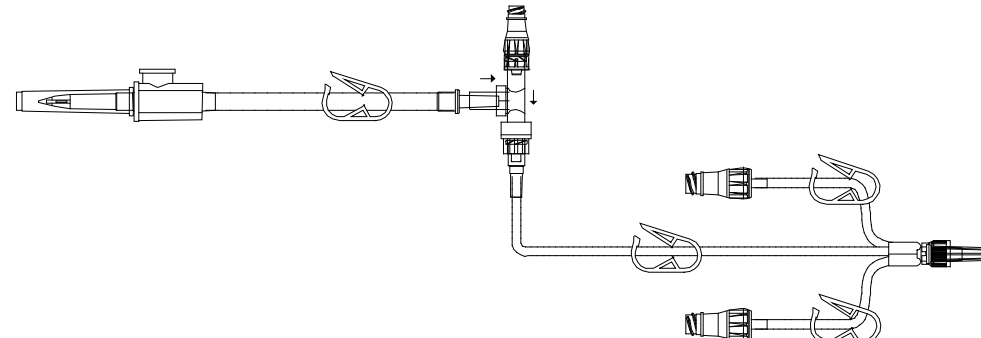


Catalog #	Description	PV	Case Qty
12663-28	Primary Set, 100 Inch, 60 Drop, 2 Clave Y-Sites, Secure Lock	12.8 mL	48

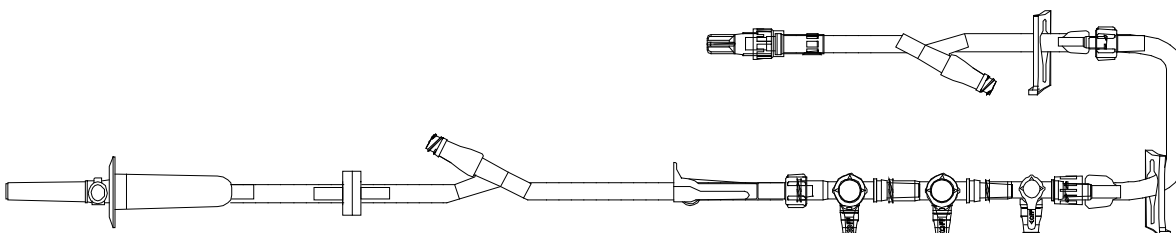


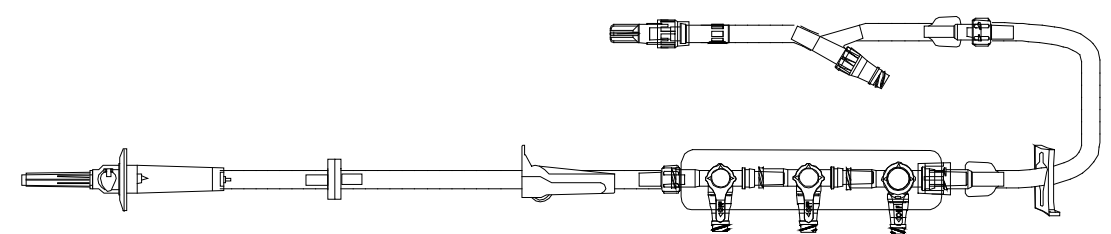
Catalog #	Description	PV	Case Qty
B33895	107" (272 cm) Appx 8.7 mL, Transfer Set w/Dual Check Valve, MicroClave, Luer Lock	8.7 mL	50

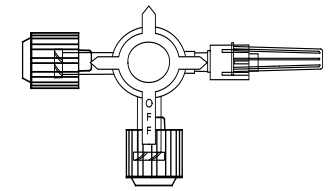


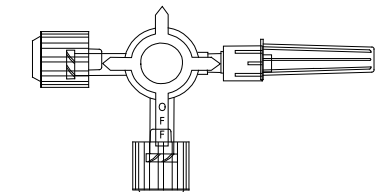
Catalog #	Description	PV	Case Qty
B33065	104" (264 cm) Appx 7.1 mL, Transfer Set w/Clave, Dual Check Valve, Smallbore Trifuse Ext Set w/2 Clave, Rotating Luer	7.1 mL	50
			

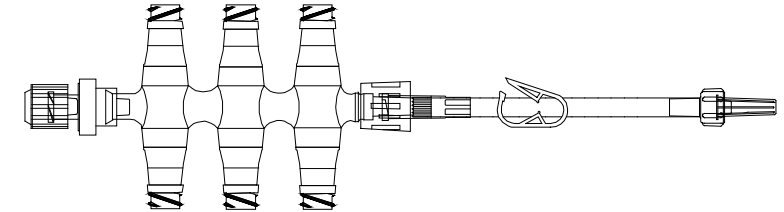
Anesthesia Sets, Stopcocks and Manifolds

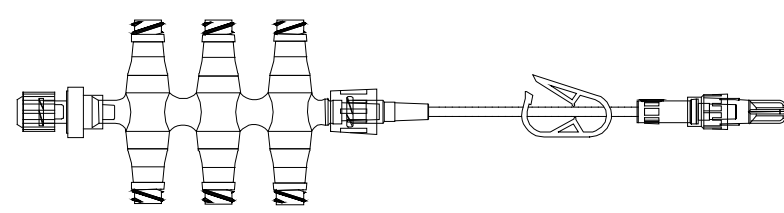
Catalog #	Description	PV	Case Qty
SC158	148" 15 Drop Primary Set w/2 Clave, Remv 3 Gang 4-Way Clave Stopcock, Rotating Luer, 2 Ext	18.8 mL	25
			

Catalog #	Description	PV	Case Qty
AC309	103" (262 cm) Appx 13.4 mL, 60 Drop Primary Set w/MicroClave Clear, Remv 3 Gang 4-Way NanoClave Stopcock w/Baseplate, Rotating Luer, 2 Ext	13.4 mL	50
			

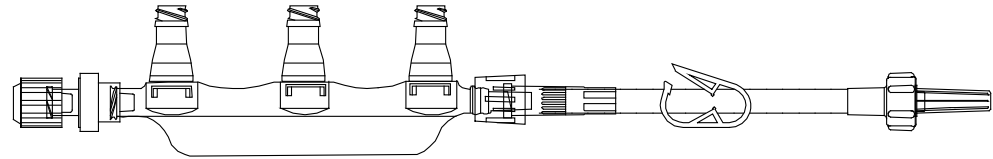
Catalog #	Description	PV	Case Qty
B4018	4-Way High Flow Stopcock w/Rotating Luer	0.32 mL	50
			

Catalog #	Description	PV	Case Qty
B4020	3-Way High Flow Stopcock w/Rotating Luer	0.32 mL	50
			

Catalog #	Description	PV	Case Qty
AM6090	10" Ext Set w/6-Port NanoClave Manifold, Check Valve, Clamp, Luer Lock	1.5 mL	50
			

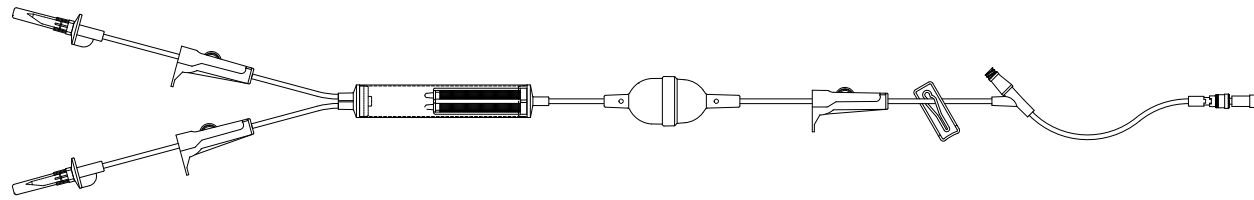
Catalog #	Description	PV	Case Qty
AM6109	10" Smallbore Ext Set w/6-Port NanoClave Manifold, Check Valve, Clamp, Rotating Luer	0.95 mL	50
			

Catalog #	Description	PV	Case Qty
AM3090	10" Ext Set w/3-Port NanoClave Manifold, Check Valve, Clamp, Luer Lock	1.5 mL	50

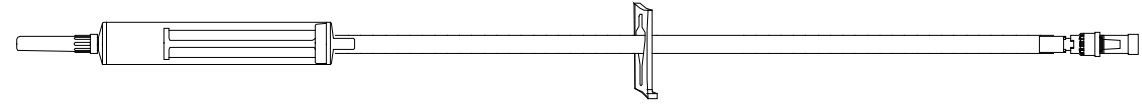


Blood Sets

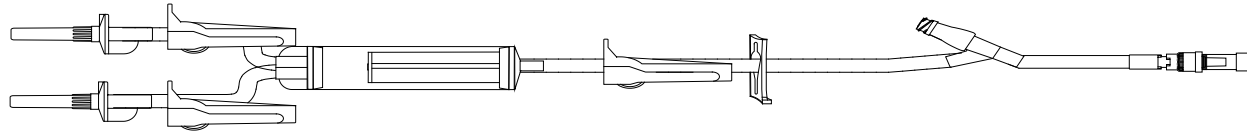
Catalog #	Description	PV	Case Qty
12435-02	Primary Y-Type Blood Set, 200 Micron Filter, Bulb Pump, Clave Y-Site, Secure Lock, 80 Inch	76.0 mL	48



Catalog #	Description	PV	Case Qty
14200-28	Secondary Blood Set, 200 Micron Filter, Secure Lock, 36 Inch	40.0 mL	48

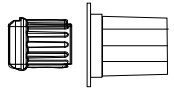


Catalog #	Description	PV	Case Qty
14218-28	Primary Y-Type Blood Set, 200 Micron Filter, Clave Y-Site, Secure Lock, 80 Inch	47.0 mL	48

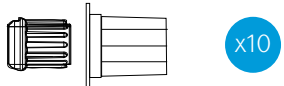


Disinfecting Caps

Catalog #	Description	Case Qty
SCXT3-2000	SwabCap™, 200-ct. Box	2000

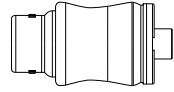


Catalog #	Description	Case Qty
SCXT3-10-2000	SwabPack™, 10 Ct., Bag	2000



Renal Systems

Catalog #	Description	Case Qty
D1000	Tego™ Connector	100



Catalog #	Description	Case Qty
CGHD-100	ClearGuard™ HD 100 Pack	400

