



Anesthesia IV Consumables

Product Catalog

Infusion technology designed to help provide safe and efficient delivery of anesthetic medications


icumedical
human connections

Helping to Enhance the Safety and Increase the Efficiency of IV Anesthetic Administration

When it comes to anesthesia delivery, every detail matters. That's why we've designed specialty products to help reduce the risk of anesthesiology-related infections while helping address inefficiencies in intraoperative environments.

From the infection control properties of our industry-leading Clave™ needlefree connectors, to specialized IV sets that let you streamline the delivery of care, we give you access to everything you need to help safely and efficiently deliver anesthesia medications to your patients.

For additional information about any of the products included in this catalog as well as our complete portfolio of IV sets, please contact your local ICU Medical Portfolio Sales Specialist.



NanoClave Stopcocks
Maintain a needlefree, closed system with automatic self-sealing connector technology.

"Use stopcocks (ie, 3-way taps) or manifolds with a bonded needleless connector or close by adding a needleless connector rather than a solid cap."

- INS Standards

"Closed catheter access systems are associated with fewer CRBSIs than open systems and should be used preferentially."

- The Centers for Disease Control and Prevention (CDC),
Guidelines for the Prevention of Intravascular Catheter-Related Infections¹

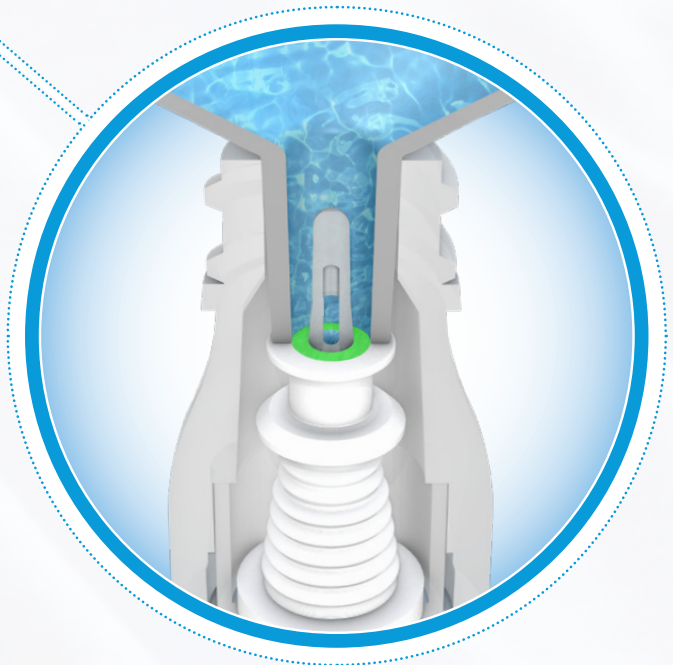


NanoClave Manifolds

Optimize fluid delivery and eliminate retrograde fluid flow with gravity-activated back check valve security.

Industry-leading Infection Control Technology¹

Clave needfree IV connector technology can help your efforts to reduce infection risks by minimizing entry points for bacteria and maximizing the effectiveness of every flush while helping you comply with CDC and Infusion Nurses Society (INS) guidelines.²



1. Global Healthcare Exchange (GHX) Market Intelligence data. Connectors, Needleless, Parenterals, [92-100], 2013-2016. Includes stand-alone needlefree connectors and ancillary direct access devices (two-piece, hemodialysis, non-swabable, and non-patient contact connectors excluded).

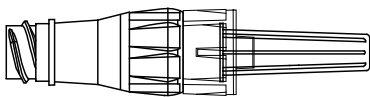
2. Infusion Nurses Society (INS): Infusion Nursing Standards of Practice, 2011

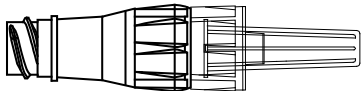
Table of Contents

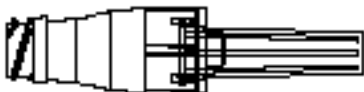
| | |
|---|----|
| Needlefree Connectors | 5 |
| Disinfection Caps | 6 |
| Single Lumen Extension Sets | 6 |
| Single Lumen Extension Sets — High Pressure | 7 |
| Multi-Lumen Ext Sets | 8 |
| Medication Sets | 12 |
| Medication Sets — Filtered | 14 |
| Stopcocks and Manifolds | 15 |
| Stopcock and Manifold Extension Sets | 18 |
| Administration Sets | 24 |
| Secondary Administration Sets | 30 |
| Blood Sets | 31 |
| Blood Sets - Y-type and Bifuse | 31 |
| Burette Sets | 33 |
| Peripheral IV Catheters | 34 |

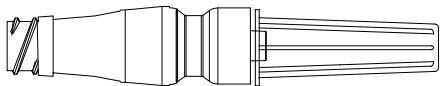
Warning: Clave connectors may be incompatible with some male-luer connectors including prefilled glass syringes. To avoid damage to the Clave or syringes or male luers which may result in delays of medication administration and possible serious adverse events, users should confirm mating luers or syringes have an internal diameter range of 0.062” to 0.110”. Check the internal diameter of the male-luer connector of the mating syringe prior to using it to access the Clave. Products outside of these dimensional tolerances should not be used.

Needlefree Connectors

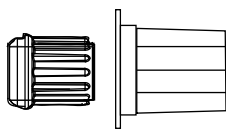
| Catalog # | Description | PV | Case Qty |
|---|-------------------------------------|------|----------|
| MC100 | MicroClave™ Clear Neutral Connector | 0.04 | 100 |
|  | | | |

| Catalog # | Description | PV | Case Qty |
|---|--------------------------|------|----------|
| B3300 | Clave™ Neutral Connector | 0.04 | 100 |
|  | | | |

| Catalog # | Description | PV | Case Qty |
|---|----------------------|------|----------|
| A1000 | NanoClave™ Connector | 0.02 | 100 |
|  | | | |

| Catalog # | Description | PV | Case Qty |
|--|-------------|------|----------|
| NC100 | Neutron™ | 0.06 | 100 |
|  | | | |

Disinfection Caps



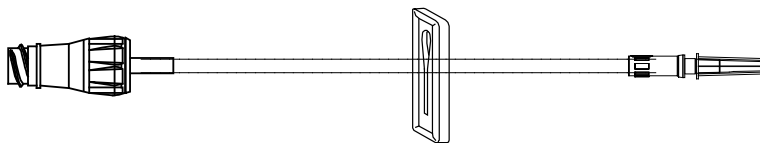
| Catalog # | Description | Case Qty |
|---------------|---------------------------|----------|
| SCXT3-2000 | SwabCap™, 200-ct. Box | 2,000 |
| SCXT3-10-2000 | SwabPack™, 10 Ct., Bag | 2,000 |
| SCXT3-2400 | SwabPack™, 25-ct. Bag | 2,400 |
| SCRC3-10-1600 | SwabPackPlus™ | 1,600 |
| SCXT3-5-2000 | SwabSleeve, 5 Ct., Sleeve | 2,000 |

| Catalog # | Description | Case Qty |
|-----------|-----------------------|----------|
| SWTP-5 | SwabTip, 5 Ct., Strip | 200 |

Single Lumen Extension Sets

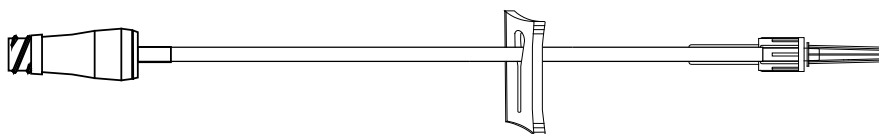
| Catalog # | Description | Length | PV | Case Qty |
|-----------|---|--------|------|----------|
| MC3302 | 7" (18 cm) Appx 0.24 mL, Smallbore Ext Set w/MicroClave Clear, Clamp, Rotating Luer | 7 | 0.24 | 50 |

| Catalog # | Description | Length | PV | Case Qty |
|-----------|---|--------|------|----------|
| MC33867 | 7" (18 cm) Smallbore Ext Set w/MicroClave™ Clear, Clamp, Luer Slip, Non-DEHP Tubing | 7 | 0.24 | 50 |

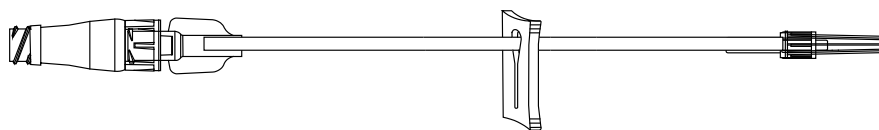


Single Lumen Extension Sets — High Pressure

| Catalog # | Description | Length | PV | Case Qty |
|-----------|--|--------|------|----------|
| B33086 | 7" (18 cm) Smallbore Pressure Infusion (400psig) Ext Set w/MicroClave™, Purple Clamp, Luer Lock, Non-DEHP Tubing | 7 | 0.21 | 50 |

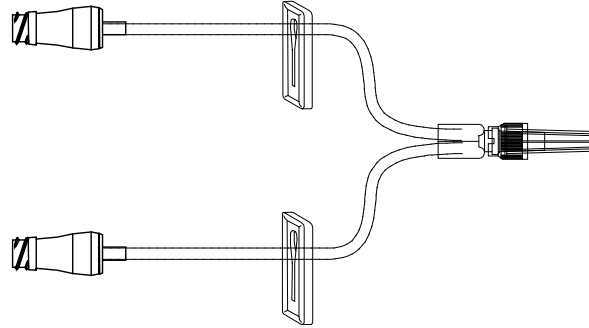


| Catalog # | Description | Length | PV | Case Qty |
|-----------|---|--------|------|----------|
| B33038 | 7" (18 cm) Smallbore Pressure Infusion (400psig) Ext Set w/Remv MicroClave™, Purple Clamp, Luer Lock, Non-DEHP Tubing | 7 | 0.28 | 50 |

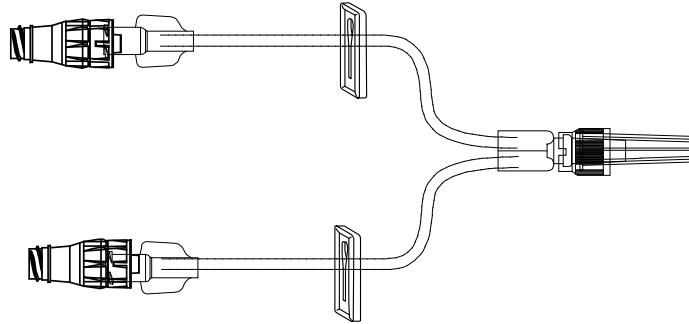


Multi-Lumen Ext Sets

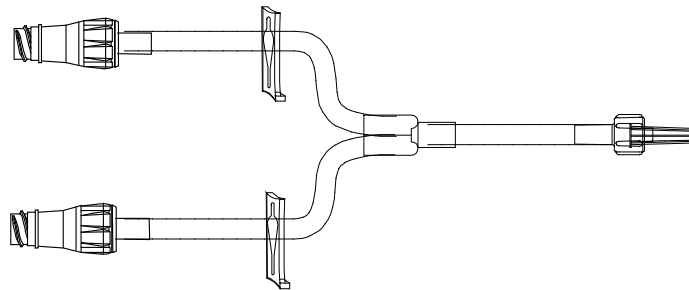
| Catalog # | Description | Length | PV | Case Qty |
|-----------|--|--------|------|----------|
| B33868 | 3" (8 cm) Appx 0.22 mL, Smallbore Bifuse Ext Set w/2 MicroClave™, 2 Clamps (Blue), Rotating Luer | 3 | 0.22 | 50 |



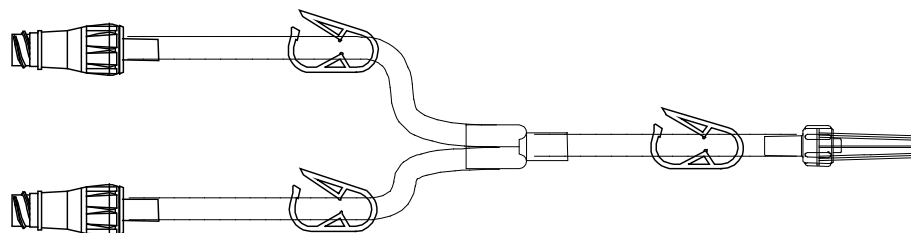
| Catalog # | Description | Length | PV | Case Qty |
|-----------|--|--------|------|----------|
| MC33119 | 4" (10 cm) Smallbore Bifuse Ext Set w/2 Remv MicroClave™ Clear, 2 Clamps, Rotating Luer, Non-DEHP Tubing | 4 | 0.38 | 50 |



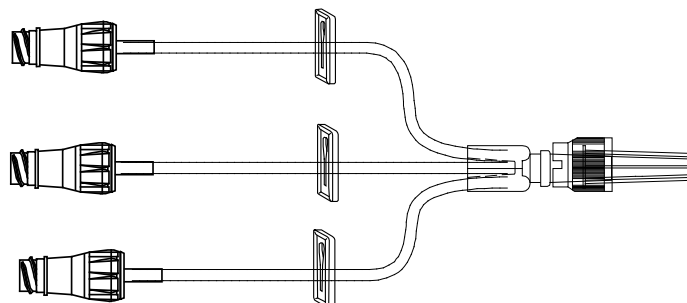
| Catalog # | Description | Length | PV | Case Qty |
|-----------|---|--------|------|----------|
| MC33419 | 6" (15 cm) Appx .88 mL, Bifuse Ext Set w/2 MicroClave™ Clear, 2 Clamps, Luer Lock | 6 | 0.88 | 50 |



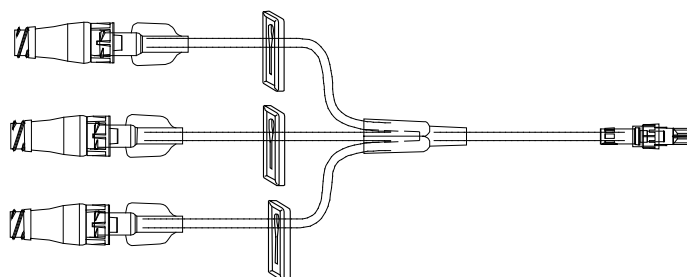
| Catalog # | Description | Length | PV | Case Qty |
|-----------|---|--------|------|----------|
| MC33717 | 7.5" (19 cm) Appx 1.1 ml, Bifuse Ext Set w/2 MicroClave™ Clear, 3 Clamps (2 White, Blue), Luer Lock | 7.5 | 1.10 | 50 |



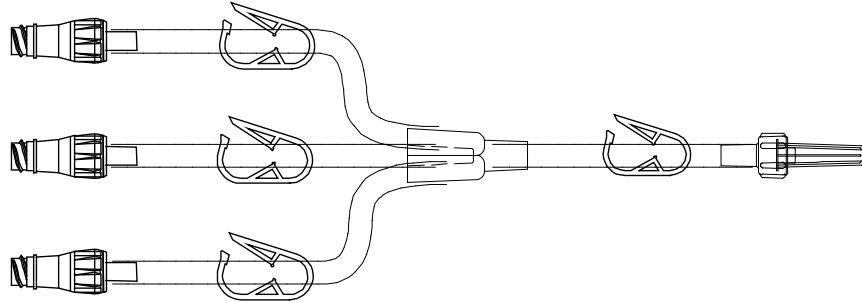
| Catalog # | Description | Length | PV | Case Qty |
|-----------|---|--------|------|----------|
| MC33098 | 4" (10 cm) Appx 0.40 ml, Smallbore Trifuse Ext Set w/3 MicroClave™ Clear, 3 Clamps, Rotating Luer | 4 | 0.40 | 50 |



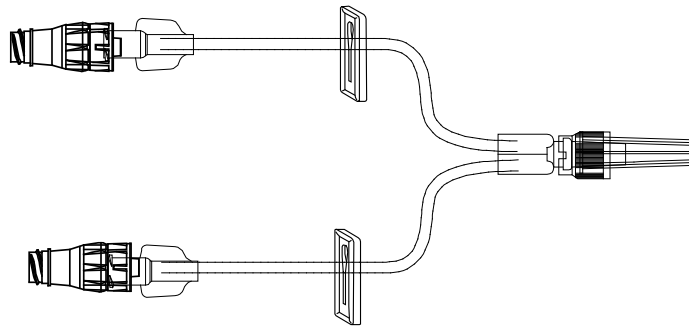
| Catalog # | Description | Length | PV | Case Qty |
|-----------|--|--------|------|----------|
| B33092 | 6" Smallbore Trifuse Ext Set w/3 Remv MicroClave™, 3 Clamps, Rotating Luer | 6 | 0.69 | 50 |



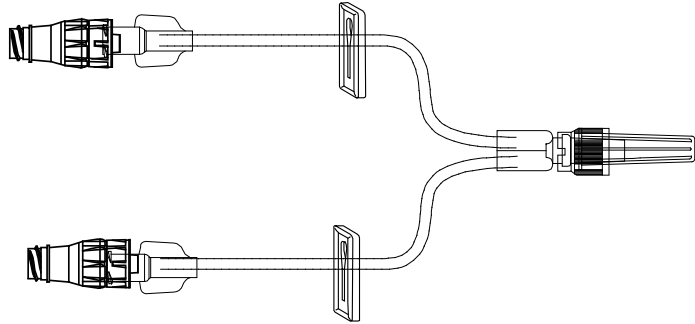
| Catalog # | Description | Length | PV | Case Qty |
|-----------|--|--------|------|----------|
| MC33722 | 7.5" Trifuse Ext Set w/3 MicroClave™ Clear, 4 Clamps (2 White, Blue, Red), Luer Lock | 7.5 | 1.70 | 50 |



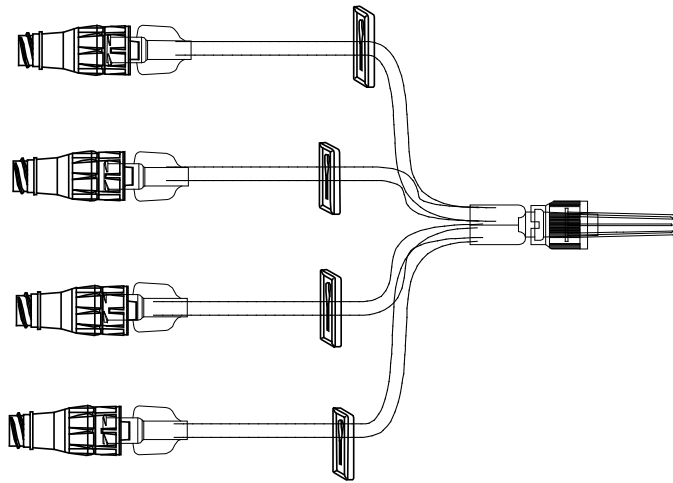
| Catalog # | Description | Length | PV | Case Qty |
|-----------|---|--------|------|----------|
| B33294 | 4" (10cm) Smallbore Quadfuse Ext Set w/4 MicroClave™, 4 Clamps, Rotating Luer | 4 | 0.52 | 50 |




| Catalog # | Description | Length | PV | Case Qty |
|-----------|---|--------|------|----------|
| B33867 | 4.5" (11 cm) Smallbore Quadfuse Ext Set w/4 MicroClave™, 4 Clamps (Blue), Rotating Luer | 4.5 | 0.53 | 50 |

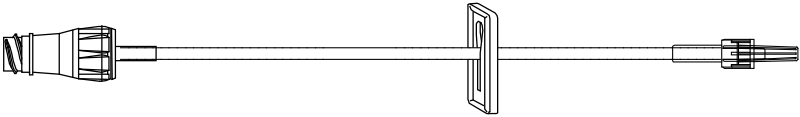


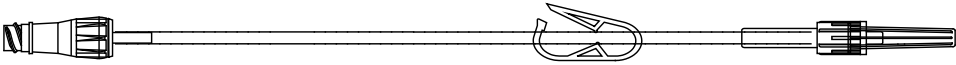
| Catalog # | Description | Length | PV | Case Qty |
|-----------|---|--------|------|----------|
| MC33290 | 4" Smallbore Quadfuse Ext Set w/4 Remv MicroClave™ Clear, 4 Clamps, Rotating Luer | 4 | 0.65 | 50 |

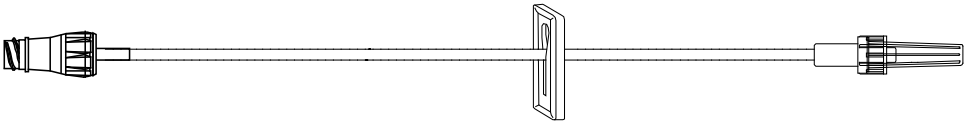


Medication Sets

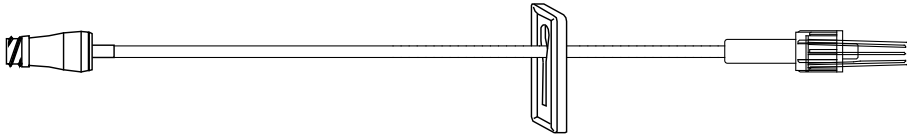
| Catalog # | Description | Length | PV | Case Qty |
|--|--|--------|------|----------|
| MC33352 | 60" (152 cm) Smallbore Ext Set w/MicroClave™ Clear, Clamp, Luer Lock | 60 | 0.36 | 50 |
|  | | | | |

| Catalog # | Description | Length | PV | Case Qty |
|--|--|--------|------|----------|
| MC33383 | 60" (152 cm) Smallbore Ext Set w/MicroClave™ Clear, Clamp, Luer Lock | 60 | 0.54 | 50 |
|  | | | | |

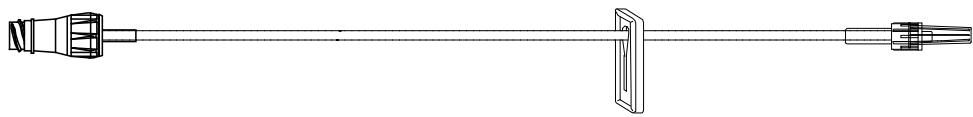
| Catalog # | Description | Length | PV | Case Qty |
|--|--|--------|------|----------|
| MC330425 | 60" (152 cm) Appx 1.0 mL, Smallbore Ext Set w/MicroClave™ Clear, Clamp (Blue), Luer Lock | 60 | 1.00 | 50 |
|  | | | | |

| Catalog # | Description | Length | PV | Case Qty |
|--|---|--------|------|----------|
| MC33932 | 60" (152 cm) Appx 1.0 mL, Smallbore Ext Set w/MicroClave™ Clear, Clamp, Luer Lock | 60 | 1.00 | 50 |
|  | | | | |

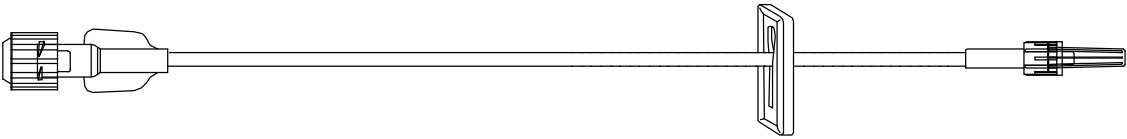
| Catalog # | Description | Length | PV | Case Qty |
|-----------|---|--------|------|----------|
| B33711 | 61" (155 cm) Appx 1.0 mL, Smallbore Ext Set w/MicroClave™, Clamp, Luer Lock | 61 | 1.00 | 50 |



| Catalog # | Description | Length | PV | Case Qty |
|-----------|---|--------|------|----------|
| MC33514 | 60" (152 cm) Smallbore Ext Set w/MicroClave™ Clear, Clamp (Blue), Luer Lock | 60 | 1.70 | 50 |

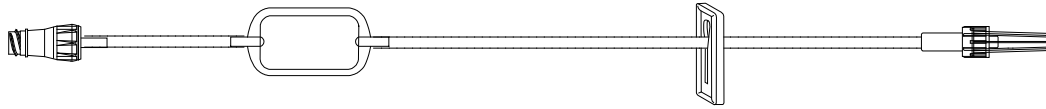


| Catalog # | Description | Length | PV | Case Qty |
|-----------|--|--------|-------|----------|
| B2154 | 360" (914 cm) Smallbore Ext Set w/Clamp, Luer Lock | 360 | 10.10 | 50 |

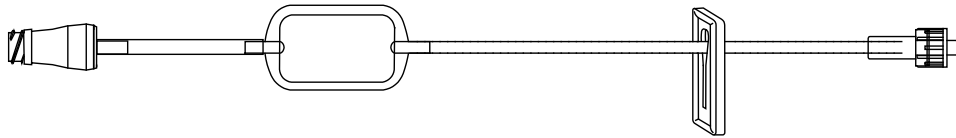


Medication Sets — Filtered

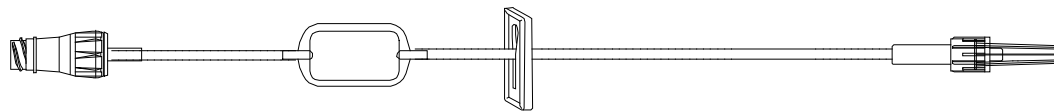
| Catalog # | Description | Length | PV | Case Qty |
|-----------|---|--------|------|----------|
| MC330472 | 60" (152 cm) Appx 1.4 mL, PUR Yellow Smallbore Ext Set w/MicroClave™ Clear, 1.2 Micron Filter, Clamp, Luer Lock | 60 | 1.40 | 50 |



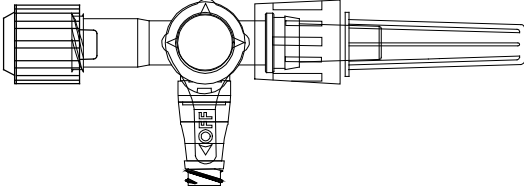
| Catalog # | Description | Length | PV | Case Qty |
|-----------|---|--------|------|----------|
| MC330174 | 60" (152 cm) Appx 1.9 mL, Smallbore Ext Set w/MicroClave™ Clear, 1.2 Micron Filter, 2 Clamps, Luer Lock | 60 | 1.90 | 50 |

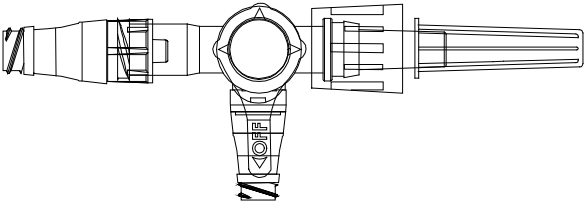


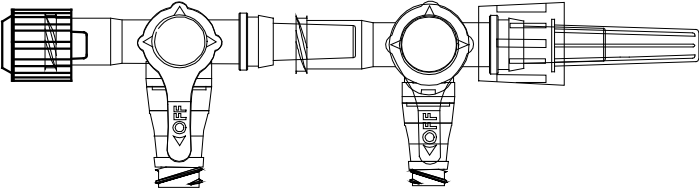
| Catalog # | Description | Length | PV | Case Qty |
|-----------|--|--------|------|----------|
| MC330077 | 60" (152 cm) Appx 1.9 mL, Smallbore Ext Set w/MicroClave™ Clear, 0.2 Micron Filter, Clamp, Luer Lock | 60 | 1.90 | 50 |



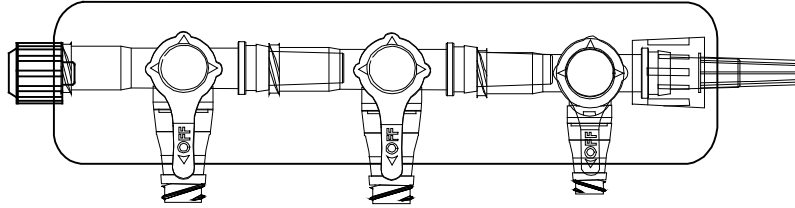
Stopcocks and Manifolds

| Catalog # | Description | PV | Case Qty |
|--|---------------------|------|----------|
| AC100 | NanoClave™ Stopcock | 0.30 | 50 |
|  | | | |

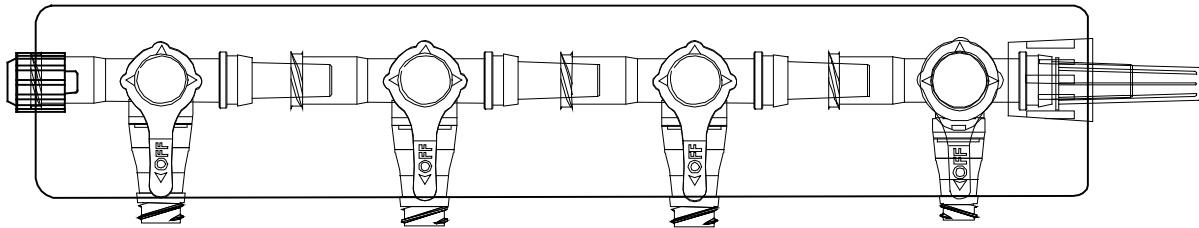
| Catalog # | Description | PV | Case Qty |
|---|----------------------------------|------|----------|
| AC104 | NanoClave™ Stopcock w/NanoClave™ | 0.32 | 50 |
|  | | | |

| Catalog # | Description | PV | Case Qty |
|--|---|------|----------|
| AC200 | 2 Gang 4-Way NanoClave™ Stopcock Manifold w/Rotating Luer | 0.55 | 50 |
|  | | | |

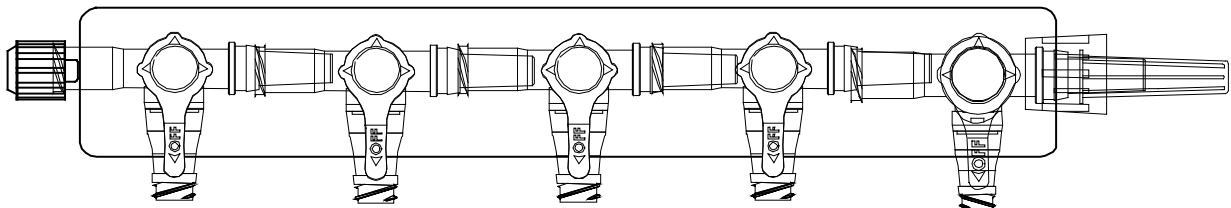
| Catalog # | Description | PV | Case Qty |
|-----------|---|------|----------|
| AC218 | Appx 0.82 ml, 3 Gang 4-Way NanoClave™ Stopcock w/Baseplate, Rotating Luer | 0.82 | 50 |



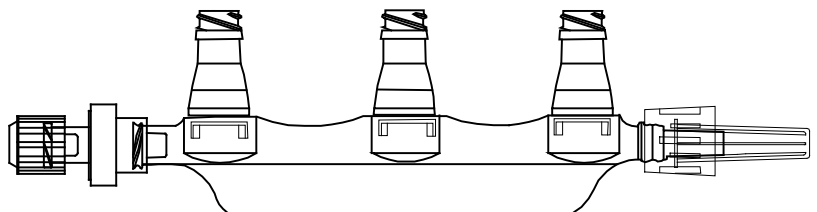
| Catalog # | Description | PV | Case Qty |
|-----------|--|------|----------|
| AC401 | Appx 1.1 ml, 4 Gang 4-Way NanoClave™ Stopcock w/Baseplate, Rotating Luer | 1.10 | 50 |



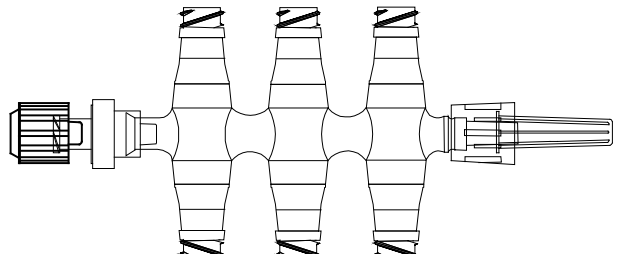
| Catalog # | Description | PV | Case Qty |
|-----------|--|------|----------|
| AC205 | 5 Gang 4-Way NanoClave Stopcock w/Baseplate, Rotating Luer | 1.40 | 50 |



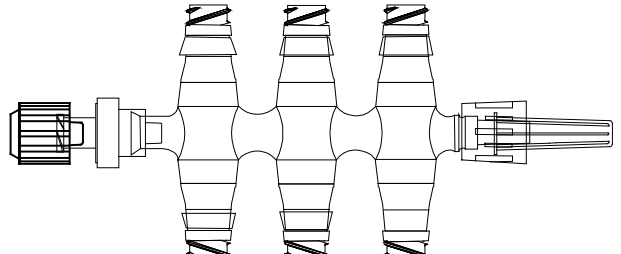
| Catalog # | Description | PV | Case Qty |
|-----------|---|------|----------|
| AM3016 | 3-Port NanoClave™ Manifold w/Check Valve, Rotating Luer | 0.88 | 50 |



| Catalog # | Description | PV | Case Qty |
|-----------|--|------|----------|
| AM6099 | 6-Port NanoClave™ Manifold, Check Valve, Rotating Luer | 0.75 | 50 |

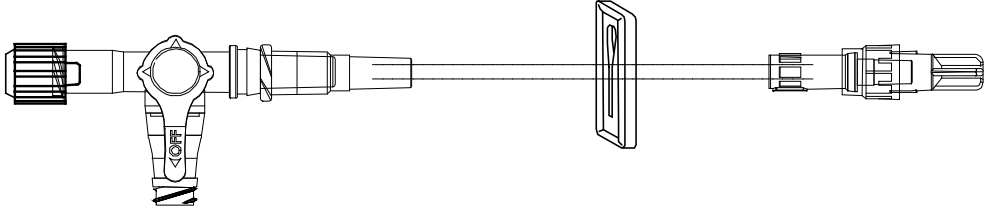


| Catalog # | Description | PV | Case Qty |
|-----------|---|------|----------|
| AM6001 | 6-Port NanoClave™ Manifold (Glow, Red, Blue, Purple, Yellow Rings), Check Valve, Rotating Luer | 0.75 | 50 |

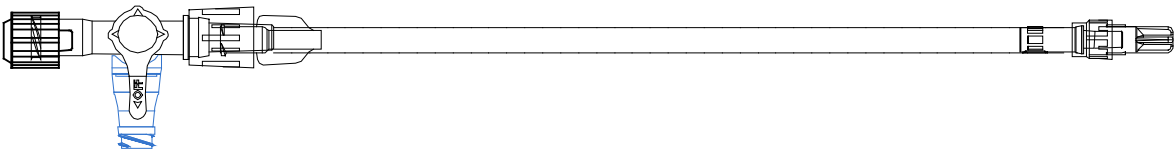


Stopcock and Manifold Extension Sets

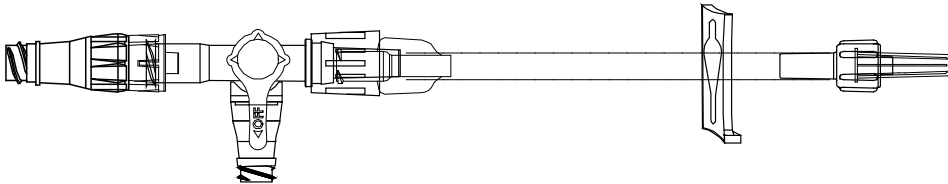
| Catalog # | Description | Length | PV | Case Qty |
|-----------|--|--------|------|----------|
| AC125 | 7.5" Smallbore Ext Set w/NanoClave™ 4-Way Stopcock, Clamp, Rotating Luer | 7.5 | 0.52 | 50 |



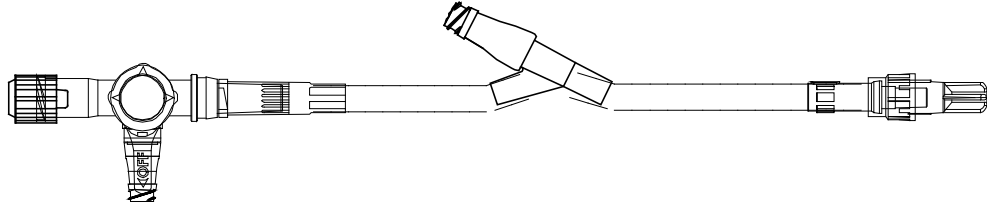
| Catalog # | Description | Length | PV | Case Qty |
|-----------|---|--------|------|----------|
| SC113 | 42" Ext Set w/Remv Clave™ Stopcock, Rotating Luer | 42 | 7.90 | 50 |



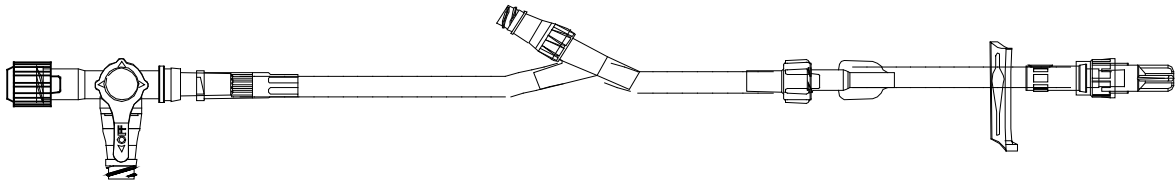
| Catalog # | Description | Length | PV | Case Qty |
|-----------|---|--------|------|----------|
| SC104 | 10" Ext Set w/Remv 4-Way Clave™ Stopcock w/Clave™, Clamp, Luer Lock | 8.914 | 1.10 | 50 |



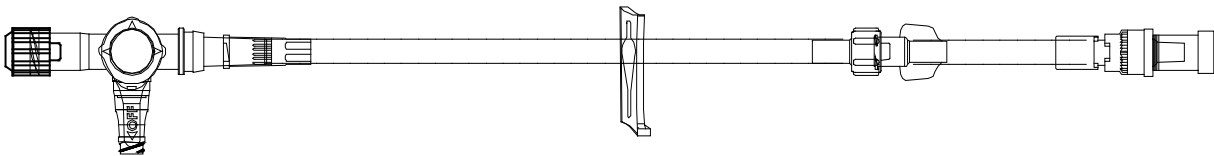
| Catalog # | Description | Length | PV | Case Qty |
|-----------|--|--------|------|----------|
| SC119 | 22" Ext Set w/4-Way Clave™ Stopcock, Clave™, Rotating Luer | 22 | 2.60 | 50 |



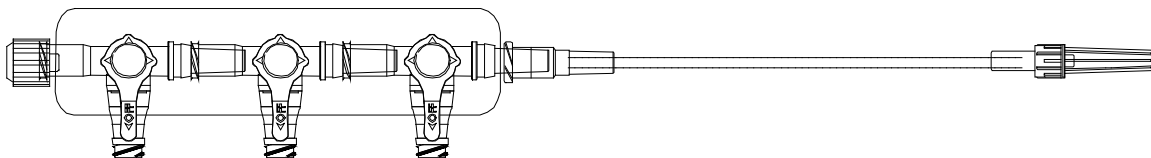
| Catalog # | Description | Length | PV | Case Qty |
|-----------|---|--------|------|----------|
| AC132 | 42" Ext Set w/NanoClave™ 4-Way Stopcock, MicroClave™ Clear, Clamp, Rotating Luer, 1 Ext | 41.987 | 5.60 | 50 |



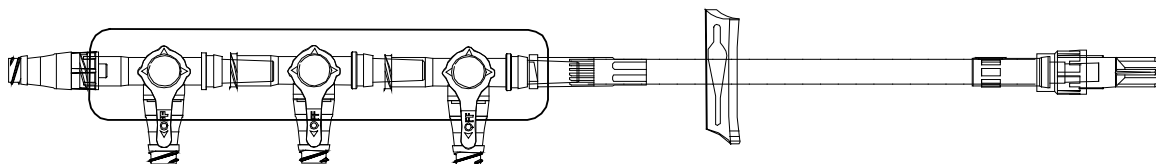
| Catalog # | Description | Length | PV | Case Qty |
|-----------|--|--------|------|----------|
| AC216 | 54" Ext Set w/4-Way Clave™ Stopcock, Clamp, Rotating Luer w/Hydrophobic Cap, 1 Ext | 54.32 | 7.20 | 50 |



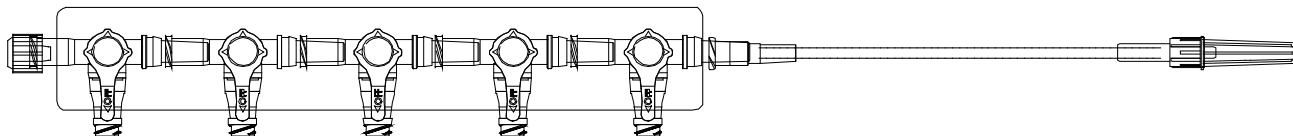
| Catalog # | Description | Length | PV | Case Qty |
|-----------|---|--------|------|----------|
| AC221 | 8.5" Smallbore Ext Set w/3 Gang 4-Way NanoClave™ Stopcocks w/Baseplate, Luer Lock | 8.5 | 1.00 | 50 |



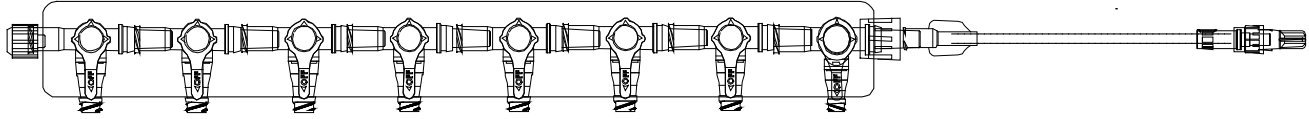
| Catalog # | Description | Length | PV | Case Qty |
|-----------|--|--------|------|----------|
| AC315 | 12" (30 cm) Appx 1.6 ml, Ext Set w/3 Gang NanoClave™ Stopcock w/NanoClave, Spin Luer | 12 | 1.60 | 25 |



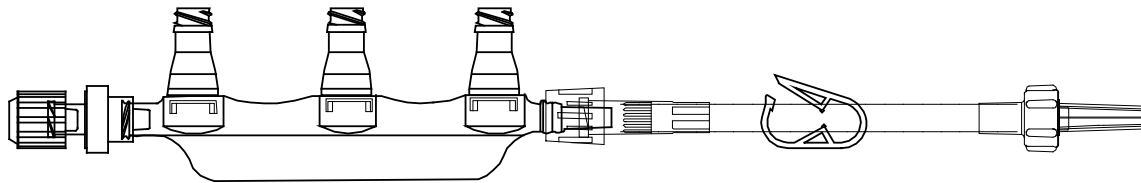
| Catalog # | Description | Length | PV | Case Qty |
|-----------|--|--------|------|----------|
| AC222 | 11" Smallbore Ext Set w/5 Gang 4-Way NanoClave™ Stopcocks w/Baseplate, Luer Lock | 11 | 1.60 | 25 |



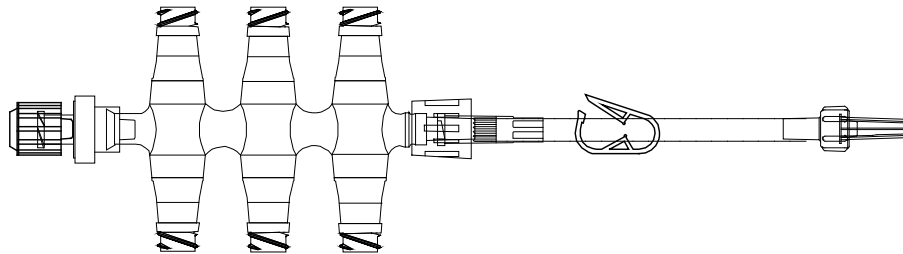
| Catalog # | Description | Length | PV | Case Qty |
|-----------|---|--------|------|----------|
| AC801 | 83" (211 cm) Smallbore Ext Set w/Remv 8 Gang 4-Way NanoClave™ Stopcock w/Baseplate, Rotating Luer | 83 | 4.30 | 25 |



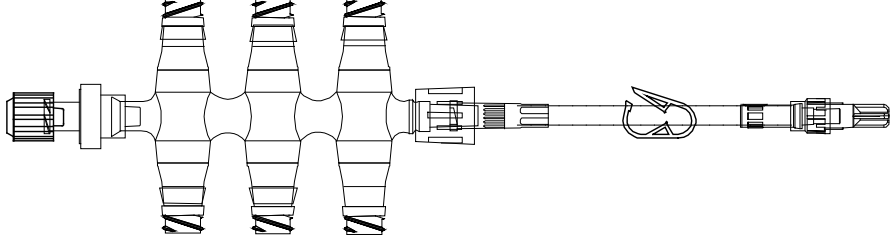
| Catalog # | Description | Length | PV | Case Qty |
|-----------|---|--------|------|----------|
| AM3090 | 10" Ext Set w/3-Port NanoClave™ Manifold, Check Valve, Clamp, Luer Lock | 10.045 | 1.50 | 50 |



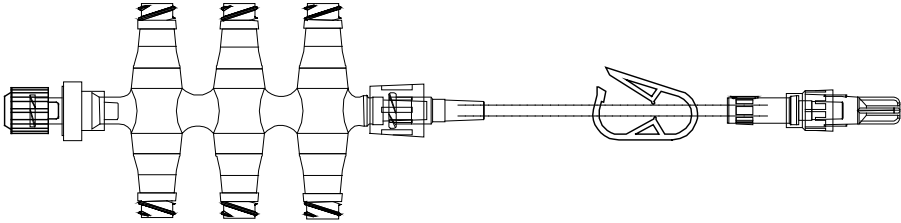
| Catalog # | Description | Length | PV | Case Qty |
|-----------|---|--------|------|----------|
| AM6090 | 10" Ext Set w/6-Port NanoClave™ Manifold, Check Valve, Clamp, Luer Lock | 10 | 1.50 | 50 |



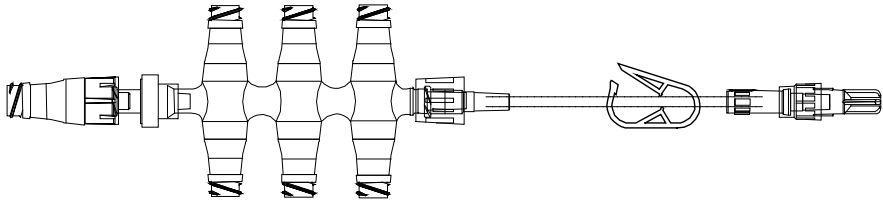
| Catalog # | Description | Length | PV | Case Qty |
|-----------|---|--------|------|----------|
| AM6091 | 10" Ext Set w/6-Port NanoClave™ Manifold (Orange, Red, Blue, Purple, Yellow Rings), Check Valve, Clamp, Rotating Luer | 10 | 1.50 | 50 |



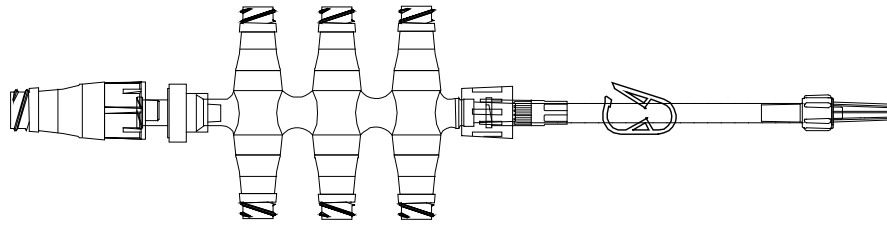
| Catalog # | Description | Length | PV | Case Qty |
|-----------|---|--------|------|----------|
| AM6109 | 10" Smallbore Ext Set w/6-Port NanoClave™ Manifold, Check Valve, Clamp, Rotating Luer | 10 | 0.95 | 50 |



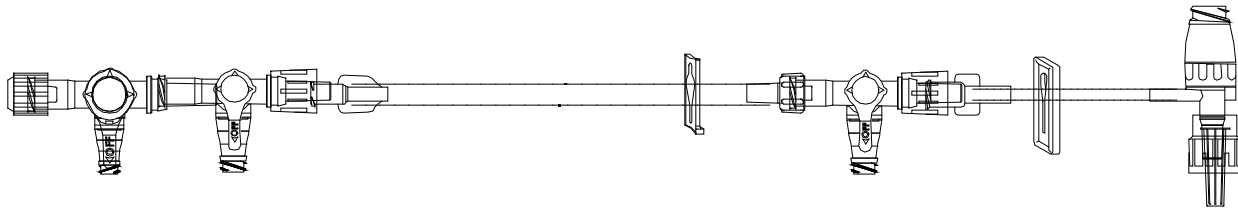
| Catalog # | Description | Length | PV | Case Qty |
|-----------|---|--------|------|----------|
| AM6127 | 11" (28 cm) Smallbore Ext Set w/NanoClave™, 6-Port NanoClave™ Manifold, Check Valve, Clamp, Rotating Luer | 11 | 0.97 | 50 |



| Catalog # | Description | Length | PV | Case Qty |
|-----------|---|--------|------|----------|
| AM6143 | 11" Ext Set w/6-Port NanoClave™ Manifold, Check Valve, NanoClave™, Clamp, Luer Lock | 10.932 | 1.50 | 50 |

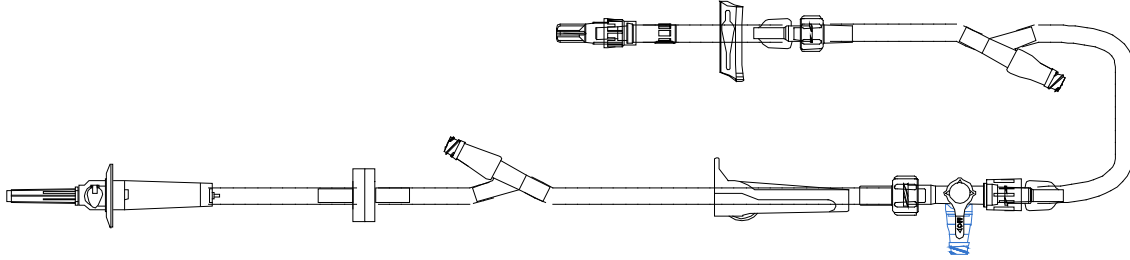


| Catalog # | Description | Length | PV | Case Qty |
|-----------|--|--------|------|----------|
| SC124 | 30" (76 cm) Appx 3.6 mL, Ext Set w/Remv 2 Gang Clave™ Stopcock, Remv Clave™ Stopcock, NanoClave™ T-Connector, Rotating Luer, 1 Ext | 29.314 | 3.63 | 50 |

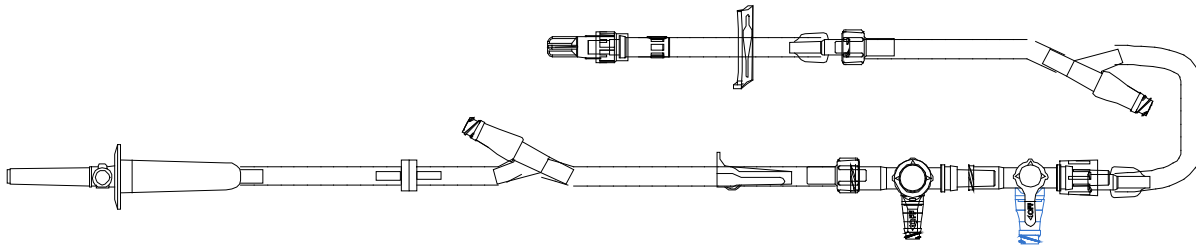


Administration Sets

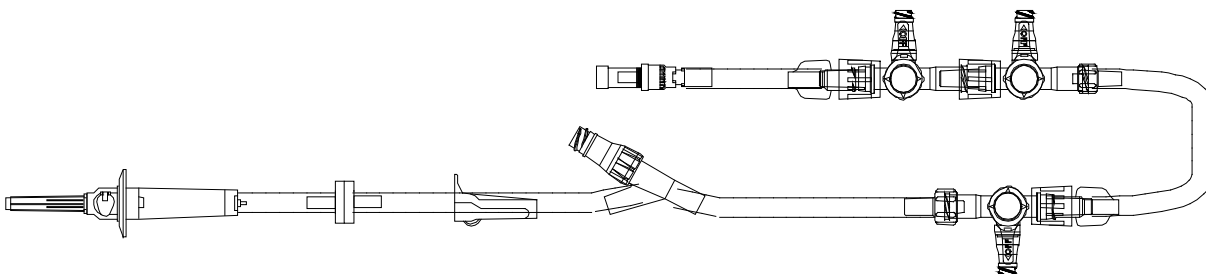
| Catalog # | Description | Length | PV | Case Qty |
|-----------|--|---------|-------|----------|
| SC179 | 134" (340 cm) Appx 16.8 ml, 15 Drop Primary Set w/2 MicroClave™, Remv 4-Way Clave™ Stopcock, Rotating Luer, 2 Exts | 134.053 | 16.80 | 50 |



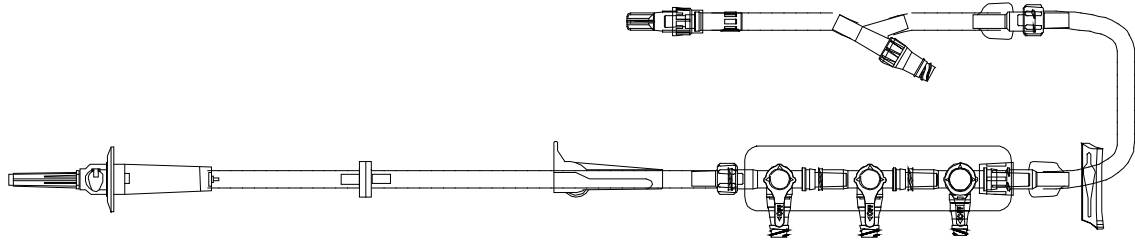
| Catalog # | Description | Length | PV | Case Qty |
|-----------|--|--------|-------|----------|
| B90019 | 128" (325 cm) Appx 16.6 ml, 15 Drop Primary Set w/2 MicroClave™, Remv 2 Gang 4-Way Clave™ Stopcock, Rotating Luer, 2 Ext | 128 | 16.60 | 50 |



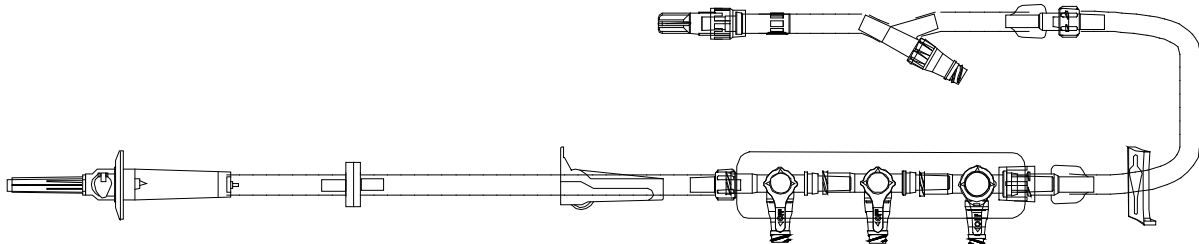
| Catalog # | Description | Length | PV | Case Qty |
|-----------|---|---------|-------|----------|
| AC233 | 113" (287 cm) Appx 14.7 ml, 10 Drop Admin Set w/MicroClave™ Clear, Remv 4-Way NanoClave™ Stopcock, Remv 2-Gang 4-Way NanoClave™ Stopcocks, Spin Luer w/ Filter Cap, 2 Ext | 112.956 | 14.70 | 50 |



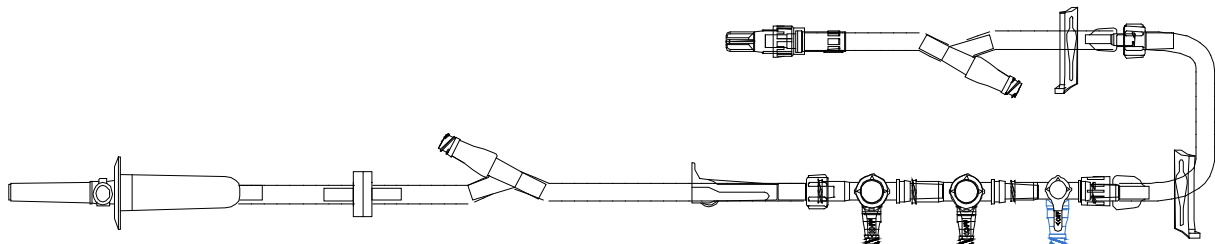
| Catalog # | Description | Length | PV | Case Qty |
|-----------|--|--------|-------|----------|
| AC308 | 103" (262 cm) Appx 13.4 ml, 10 Drop Primary Set w/MicroClave™ Clear, Remv 3 Gang 4-Way NanoClave™ Stopcock w/Baseplate, Rotating Luer, 2 Ext | 103 | 13.40 | 50 |



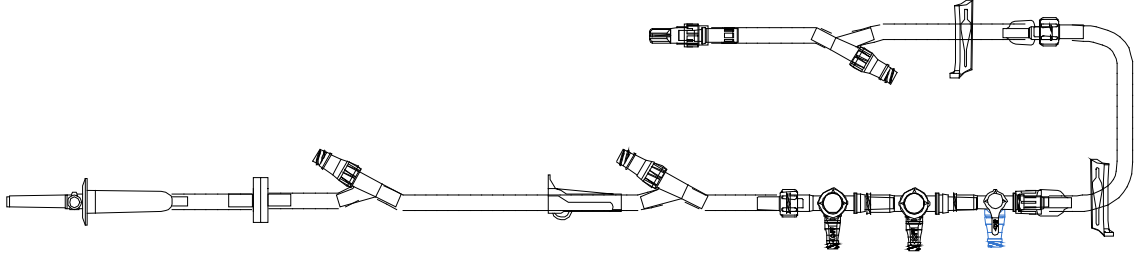
| Catalog # | Description | Length | PV | Case Qty |
|-----------|--|---------|-------|----------|
| AC309 | 103" (262 cm) Appx 13.4 ml, 60 Drop Primary Set w/MicroClave™ Clear, Remv 3 Gang 4-Way NanoClave™ Stopcock w/Baseplate, Rotating Luer, 2 Ext | 102.599 | 13.40 | 50 |



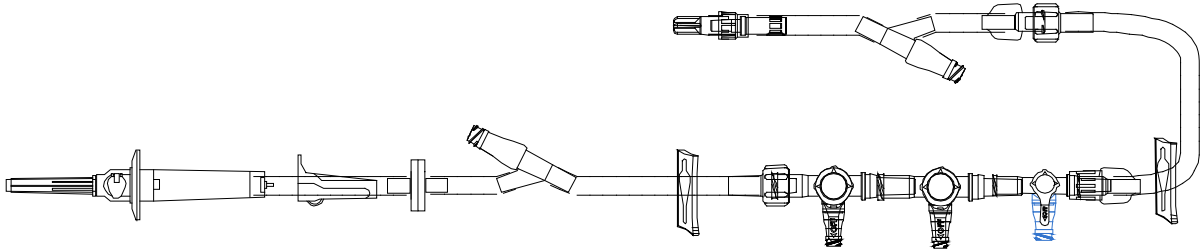
| Catalog # | Description | Length | PV | Case Qty |
|-----------|--|--------|-------|----------|
| SC158 | 148" 15 Drop Primary Set w/2 Clave™, Remv 3 Gang 4-Way Clave™ Stopcock, Rotating Luer, 2 Ext | 148 | 18.80 | 25 |



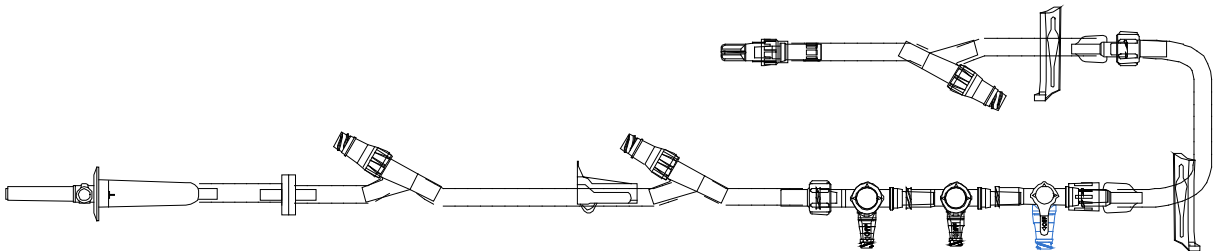
| Catalog # | Description | Length | PV | Case Qty |
|-----------|--|--------|-------|----------|
| SC160 | 149" 15 Drop Primary Set w/3 Clave™, Remv 3 Gang 4-Way Clave™ Stopcock, Rotating Luer, 2 Ext | 149 | 19.10 | 25 |



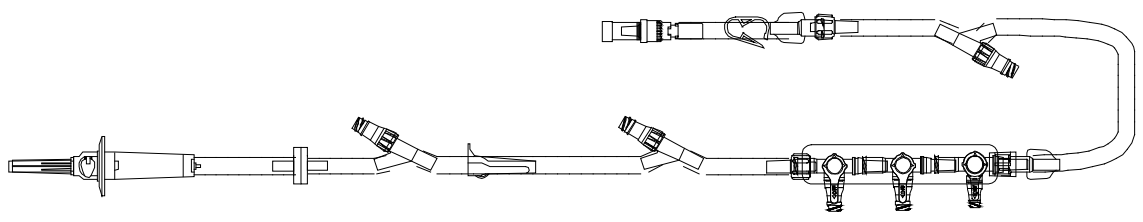
| Catalog # | Description | Length | PV | Case Qty |
|-----------|--|---------|-------|----------|
| SC171 | 128" (325 cm) Appx 16.6 ml, 15 Drop Primary Set w/2 MicroClave™, Remv 2 Gang 4-Way Clave™ Stopcock, Rotating Luer, 2 Ext | 111.053 | 14.60 | 25 |



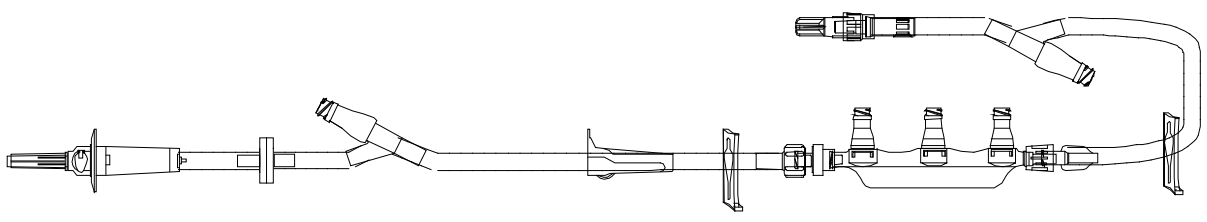
| Catalog # | Description | Length | PV | Case Qty |
|-----------|---|--------|-------|----------|
| SC161 | 148" (376 cm) 60 Drop Primary Set w/3 Clave™, Remv 3 Gang 4-Way Clave™ Stopcock, Rotating Luer, 2 Ext | 147.56 | 19.10 | 25 |



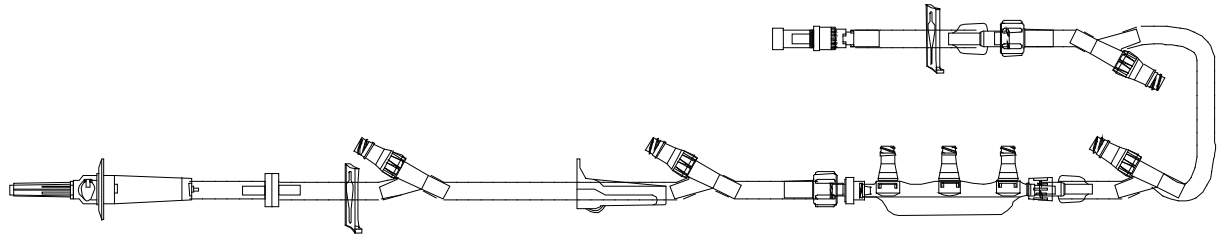
| Catalog # | Description | Length | PV | Case Qty |
|-----------|--|--------|-------|----------|
| AC236 | 132" (335 cm) Appx 17.4 ml, 20 Drop Admin Set w/3 Clave™ Clear, Remv 3-Gang NanoClave™ Stopcock w/Baseplate, Spin Luer w/Filter Cap, 2 Ext | 132 | 17.40 | 25 |



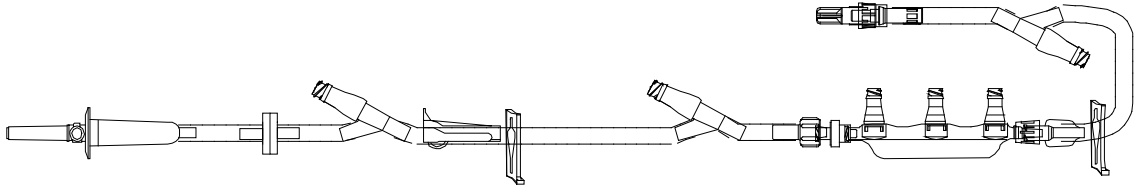
| Catalog # | Description | Length | PV | Case Qty |
|-----------|--|---------|-------|----------|
| AM3019 | 112" 15 Drop Primary Set w/2 MicroClave™, Remv 3-Port NanoClave™ Manifold, Check Valve, Rotating Luer, 1 Ext | 111.838 | 14.70 | 25 |



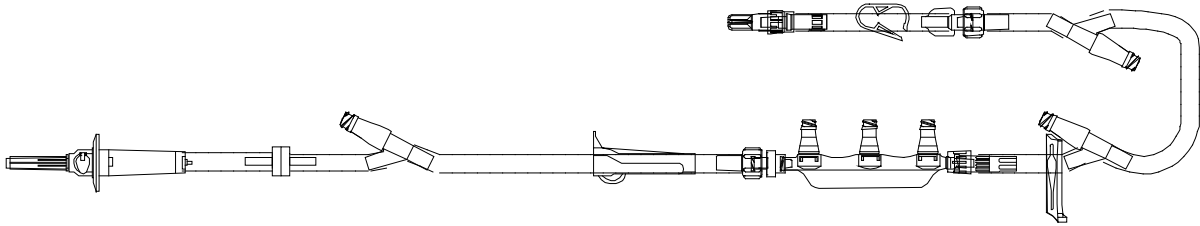
| Catalog # | Description | Length | PV | Case Qty |
|-----------|---|--------|-------|----------|
| AM3021 | 142" 15 Drop Primary Set w/4 MicroClave™ Clear, Remv 3-Port NanoClave™ Manifold w/Check Valve, Rotating Luer w/Filter Cap, 2 Exts | 142 | 18.80 | 25 |



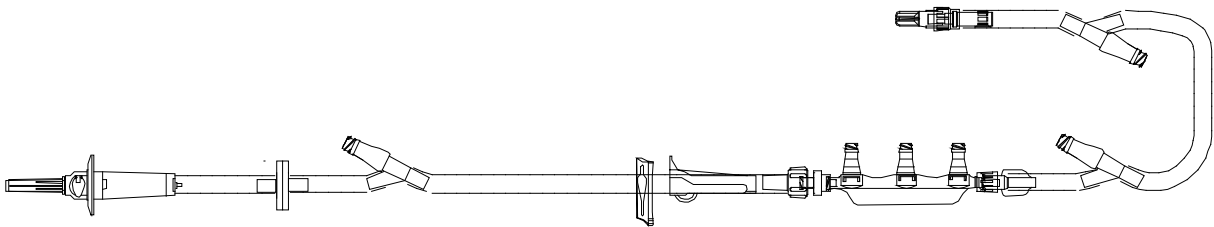
| Catalog # | Description | Length | PV | Case Qty |
|-----------|--|--------|-------|----------|
| AM3022 | 112" 15 Drop Primary Set w/3 MicroClave™, Remv 3-Port NanoClave™ Manifold, Check Valve, Rotating Luer, 1 Ext | 112 | 14.80 | 25 |



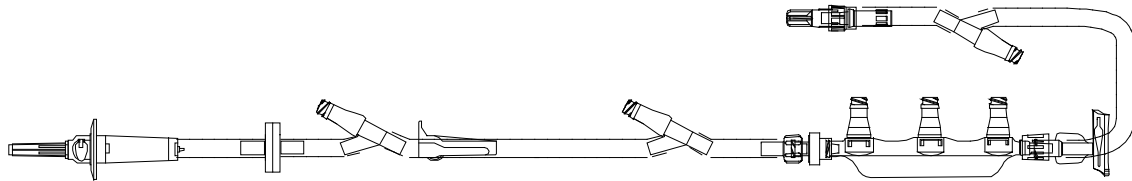
| Catalog # | Description | Length | PV | Case Qty |
|-----------|--|--------|-------|----------|
| AM3009 | 123" 10 Drop Primary Set w/3 MicroClave™, 3-Port NanoClave™ Manifold, Rotating Luer, 2 Ext | 123 | 16.10 | 25 |



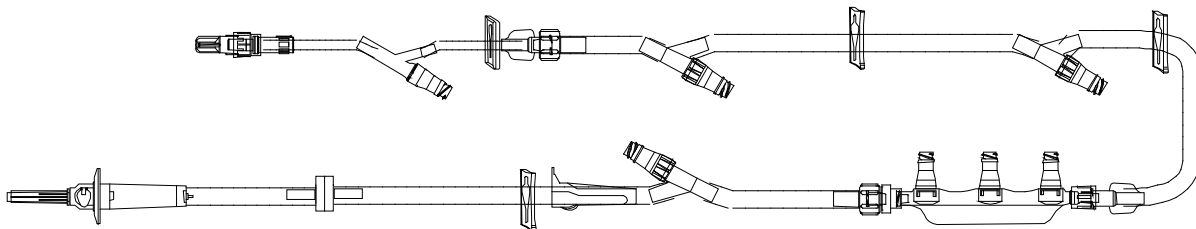
| Catalog # | Description | Length | PV | Case Qty |
|-----------|---|--------|-------|----------|
| AM3011 | 114" 10 Drop Primary Set w/3 MicroClave™, Remv 3-Port NanoClave™ Manifold w/Check Valve, Rotating Luer, 1 Ext | 114 | 15.10 | 25 |



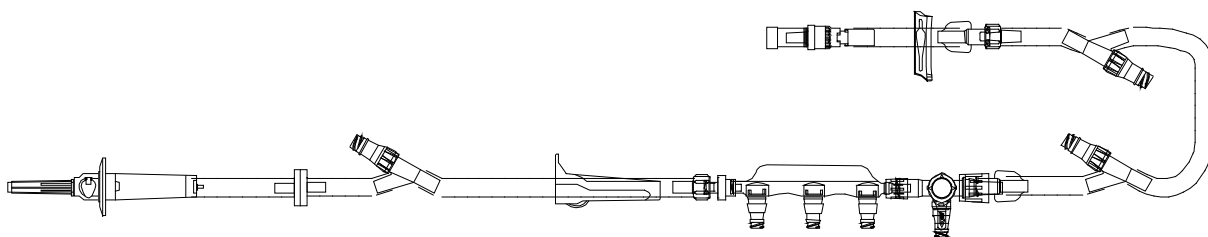
| Catalog # | Description | Length | PV | Case Qty |
|-----------|--|--------|-------|----------|
| AM3018 | 136" 10 Drop Primary Set w/3 MicroClave™, Remv 3-Port NanoClave™ Manifold, Check Valve, Rotating Luer, 1 Ext | 136 | 17.80 | 25 |



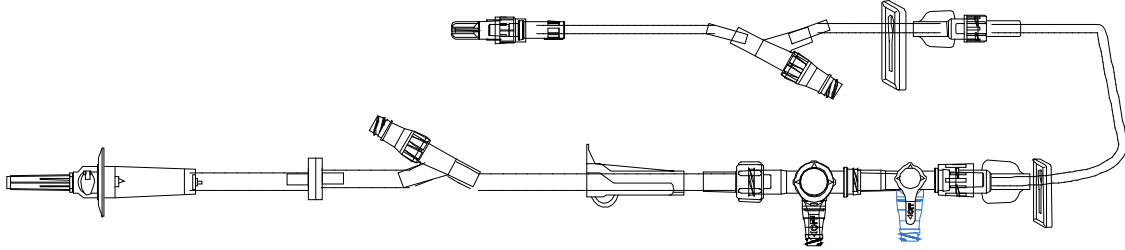
| Catalog # | Description | Length | PV | Case Qty |
|-----------|--|--------|-------|----------|
| AM3027 | 114" 15 Drop Primary Set w/3 MicroClave™ Clear, Remv 3-Port NanoClave™ Manifold w/Check Valve, NanoClave™, Rotating Luer, 2 Exts | 114 | 14.40 | 25 |



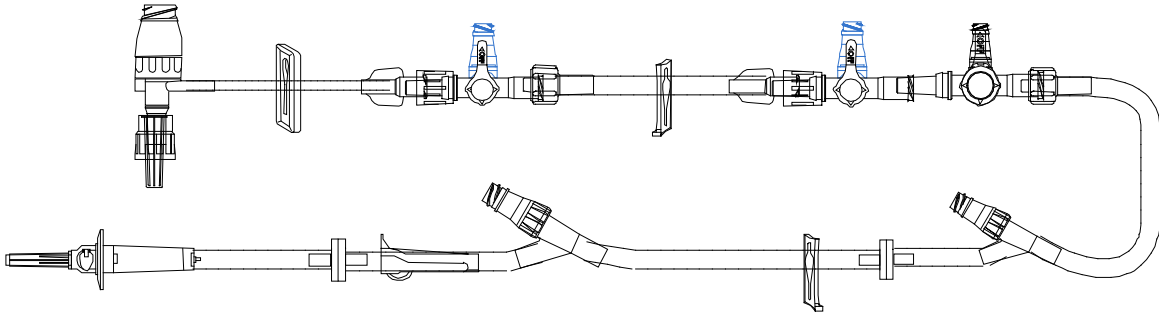
| Catalog # | Description | Length | PV | Case Qty |
|-----------|--|--------|-------|----------|
| AM3111 | 142" (361 cm) 15 Drop Primary Set w/3 MicroClave™ Clear, Remv 3-Port NanoClave™ Manifold (Red, Yellow, Blue Rings) w/NanoClave™ 4-Way Stopcock, Rotating Luer, 2 Ext | 142 | 18.80 | 25 |



| Catalog # | Description | Length | PV | Case Qty |
|-----------|--|--------|------|----------|
| SC164 | 98" (249 cm) 60 Drop Primary Set w/2 Clave™, Remv 2 Gang 4-Way Clave™ Stopcock, Rotating Luer, 2 Smallbore Ext | 98 | 8.40 | 25 |

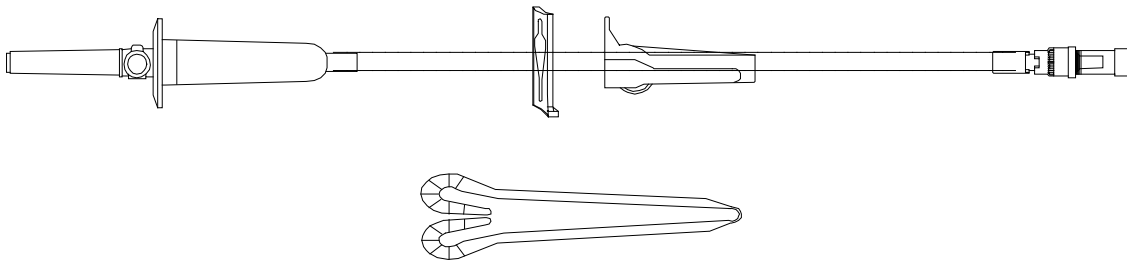


| Catalog # | Description | Length | PV | Case Qty |
|-----------|--|---------|-------|----------|
| SC125 | 120" 10 Drop Primary Set w/2 Clave™, Remv 2 Gang Clave™ Stopcock, Remv Clave™ Stopcock, NanoClave™ T-Connector, Rotating Luer, 2 Check Valves, 2 Ext | 119.405 | 15.40 | 25 |



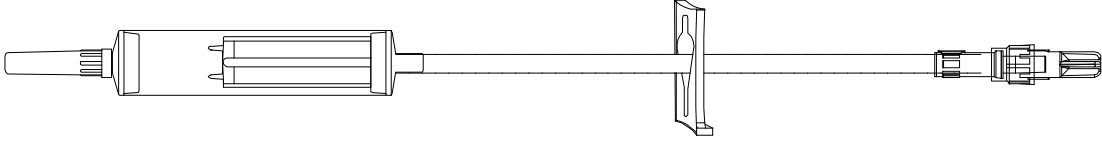
Secondary Administration Sets

| Catalog # | Description | Length | PV | Case Qty |
|------------|---|--------|------|----------|
| SF3258-15H | Secondary Set 34 Inch with IV Set Hanger, Secure Lock | 34 | 4.00 | 50 |

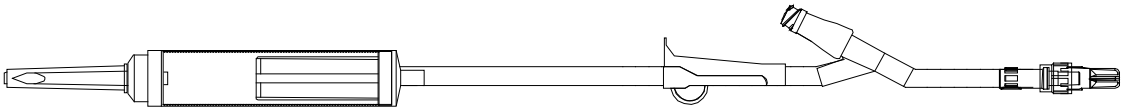


Blood Sets

| Catalog # | Description | Length | PV | Case Qty |
|-----------|--|--------|------|----------|
| B31753 | 27" 10 Drop Blood Set w/170 Micron Filter, Rotating Luer | 27 | 3.70 | 25 |

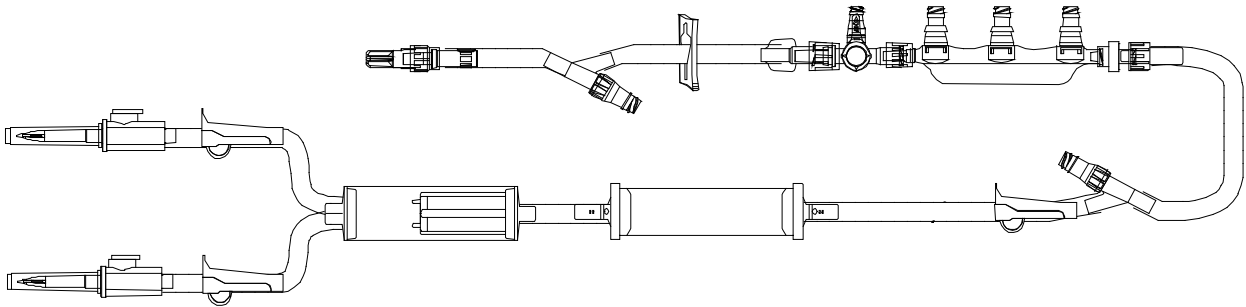


| Catalog # | Description | Length | PV | Case Qty |
|-----------|---|--------|-------|----------|
| B9698 | 78" (198 cm) 20 Drop Blood Set w/200 Micron Filter, Clave™, Rotating Luer | 78 | 13.90 | 25 |

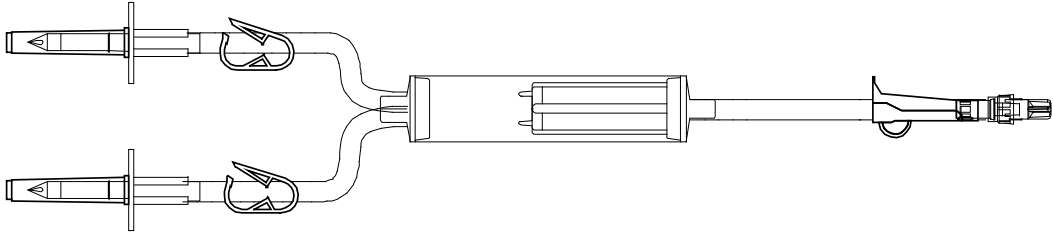


Blood Sets - Y-type and Bifuse

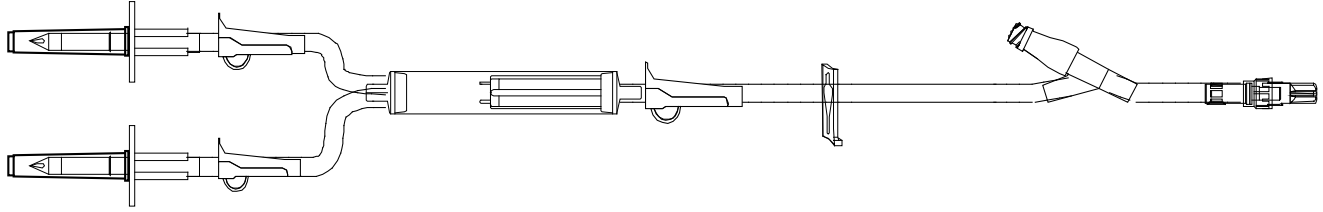
| Catalog # | Description | Length | PV | Case Qty |
|-----------|---|--------|------|----------|
| AM3122 | 148" (376 cm) 10 Drop Blood Set, Bifuse w/170 Micron Filter, Hand Pump, 2 MicroClave Clear, Remv 3-Port NanoClave Manifold (Blue, Yellow, Red Rings), Check Valve, NanoClave Stopcock, Spin Luer, 1 Ext | 148 | 73.5 | 25 |



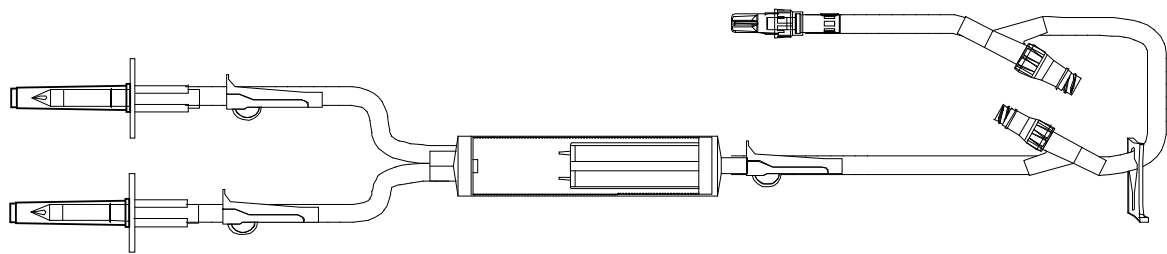
| Catalog # | Description | Length | PV | Case Qty |
|-----------|--|--------|-------|----------|
| B30061 | 82" (208 cm) Y-Type 10 Drop Blood Set w/170 Micron Filter, Rotating Luer | 82 | 16.40 | 25 |



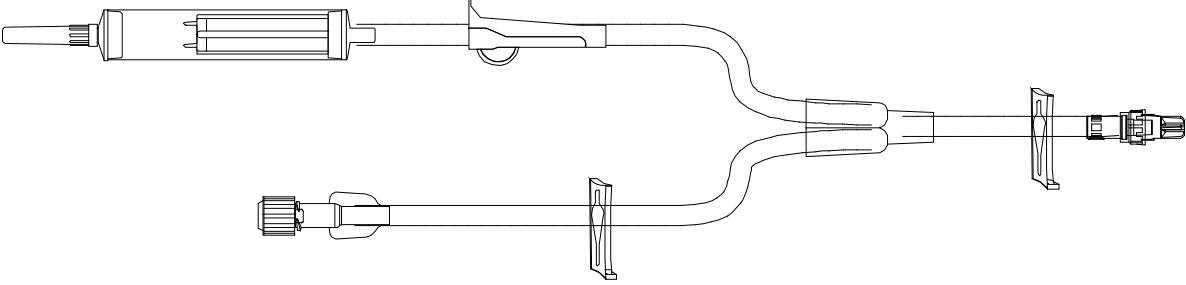
| Catalog # | Description | Length | PV | Case Qty |
|-----------|---|--------|-------|----------|
| B9211 | 84" (213 cm) Y-Type 10 Drop Blood Set, 170 Micron Filter, Clave™, Rotating Luer | 84 | 16.90 | 25 |



| Catalog # | Description | Length | PV | Case Qty |
|-----------|--|--------|-------|----------|
| MC9011 | 99" (251 cm) 20 Drop Y-Type Blood Set w/200 Micron Filter, 2 Clave™ Clear, Rotating Luer | 99.257 | 20.30 | 25 |

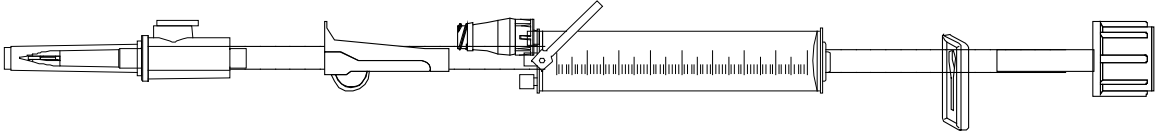


| Catalog # | Description | Length | PV | Case Qty |
|-----------|---|--------|------|----------|
| B30213 | 21" Bifuse 10 Drop Blood Set w/170 Micron Filter, Rotating Luer | 20.567 | 4.50 | 25 |

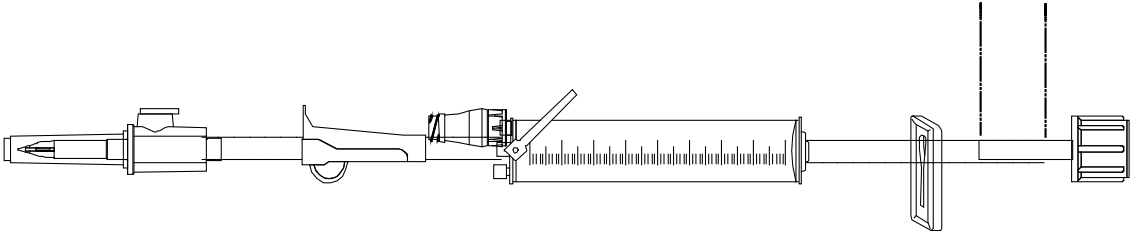


Burette Sets

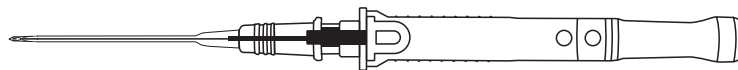
| Catalog # | Description | Length | PV | Case Qty |
|-----------|---|--------|------|----------|
| B9236 | 23" (58 cm) Add On 150 mL Burette Set (No Shut-Off Valve), MicroClave™, Clamp | 23 | 4.00 | 25 |



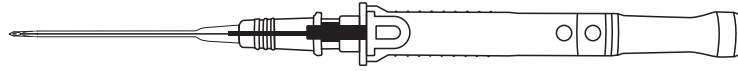
| Catalog # | Description | Length | PV | Case Qty |
|-----------|---|--------|------|----------|
| B9213 | 23" (58 cm) 150 mL Burette Set, (w/Shut-Off) MicroClave™, Clamp | 21 | 4.00 | 25 |



Peripheral IV Catheters



| Item | Description | Gauge | Length (in) | Material | Winged |
|---------|--|-------|-------------|----------|--------|
| SP22501 | SuperCath 26G X 0.56 in Active Straight | 26 | 0.56 | PUR | N |
| SP22001 | SuperCath 26G X 0.75 in Active Straight | 26 | 0.75 | PUR | N |
| SP22301 | SuperCath 24G X 0.56 in Active Straight | 24 | 0.56 | PUR | N |
| SP22401 | SuperCath 24G X 0.56 in Active Straight Winged | 24 | 0.56 | PUR | Y |
| SP22101 | SuperCath 24G X 0.75 in Active Straight | 24 | 0.75 | PUR | N |
| SP22201 | SuperCath 24G X 0.75 in Active Straight Winged | 24 | 0.75 | PUR | Y |
| SP20801 | SuperCath 24G X 0.75 in Active Straight Blood Containment | 24 | 0.75 | PUR | N |
| SP20901 | SuperCath 24G X 0.75 in Active Straight Blood Containment Winged | 24 | 0.75 | PUR | Y |
| SP20001 | SuperCath 22G X 1.00 in Active Straight Blood Containment | 22 | 1 | PUR | N |
| SP20101 | SuperCath 22G X 1.00 in Active Straight Blood Containment Winged | 22 | 1 | PUR | Y |
| SP20201 | SuperCath 22G X 1.25 in Active Straight Blood Containment | 22 | 1.25 | PUR | N |
| SP20301 | SuperCath 22G X 1.25 in Active Straight Blood Containment Winged | 22 | 1.25 | PUR | Y |
| SP22701 | SuperCath 20G X 1.00 in Active Straight Blood Containment | 20 | 1 | PUR | N |
| SP22801 | SuperCath 20G X 1.00 in Active Straight Blood Containment Winged | 20 | 1 | PUR | Y |
| SP20601 | SuperCath 20G X 1.25 in Active Straight Blood Containment | 20 | 1.25 | PUR | N |
| SP20701 | SuperCath 20G X 1.25 in Active Straight Blood Containment Winged | 20 | 1.25 | PUR | Y |
| SP21601 | SuperCath 20G X 2.00 in Active Straight Blood Containment | 20 | 2 | PUR | N |
| SP21701 | SuperCath 20G X 2.00 in Active Straight Blood Containment Winged | 20 | 2 | PUR | Y |



| Item | Description | Gauge | Length (in) | Material | Winged |
|---------|--|-------|-------------|----------|--------|
| SP20401 | SuperCath 18G X 1.25 in Active Straight Blood Containment | 18 | 1.25 | PUR | N |
| SP20501 | SuperCath 18G X 1.25 in Active Straight Blood Containment Winged | 18 | 1.25 | PUR | Y |
| SP21401 | SuperCath 18G X 2.00 in Active Straight Blood Containment | 18 | 2 | PUR | N |
| SP21501 | SuperCath 18G X 2.00 in Active Straight Blood Containment Winged | 18 | 2 | PUR | Y |
| SP21801 | SuperCath 16G X 1.25 in Active Straight Blood Containment | 16 | 1.25 | PUR | N |
| SP21901 | SuperCath 16G X 1.25 in Active Straight Blood Containment Winged | 16 | 1.25 | PUR | Y |
| SP21001 | SuperCath 16G X 1.25 in Active Straight | 16 | 1.25 | PUR | N |
| SP21101 | SuperCath 16G X 1.25 in Active Straight Winged | 16 | 1.25 | PUR | Y |
| SP21201 | SuperCath 14G X 1.25 in Active Straight | 14 | 1.25 | PUR | N |
| SP21301 | SuperCath 14G X 1.25 in Active Straight Winged | 14 | 1.25 | PUR | Y |

