

MICROCLAVE[®] by ICU Medical, Inc.

Background:

The CLAVE[®] Connector has a 10 year proven history as the premium needlefree product. Its technology ensures superior compliance with needlefree hospital policy while protecting the patient with a closed barrier to bacteria. The CLAVE is used commonly in the area of pediatrics with much success, however clinicians have requested that improvements be made to the design to specifically accommodate children. Clinicians asked for a smaller, more comfortable profile and less overall weight so that when placed for example on a triple lumen CVC, the three CLAVES are not awkward or heavy. These improvements were requested without compromising the current integrity, compatibility and function of the CLAVE. As a result ICU Medical has designed the first needlefree connector specifically intended for pediatrics.

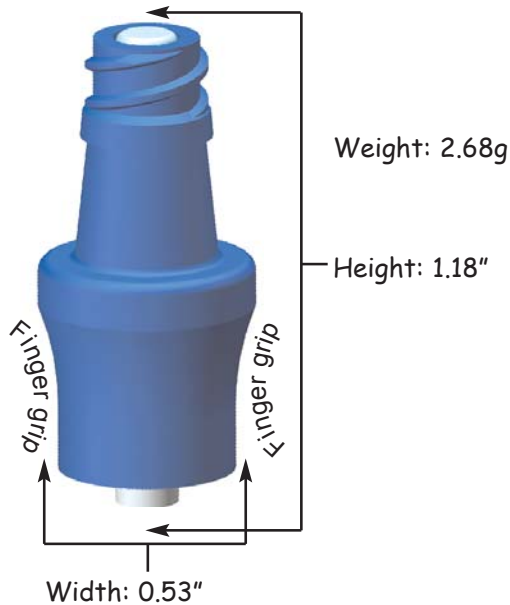
Design:

MicroCLAVE utilizes the existing silicone seal technology which provides the superior sealing mechanism important to protect the IV system from microbiological contamination. The seal still holds more than 75 psi backpressure.

Although the current CLAVE had the lowest deadspace of any needlefree connector at 0.06cc, this feature was improved upon in the MicroCLAVE to a 0.04cc as precise fluid delivery volumes are paramount in children.

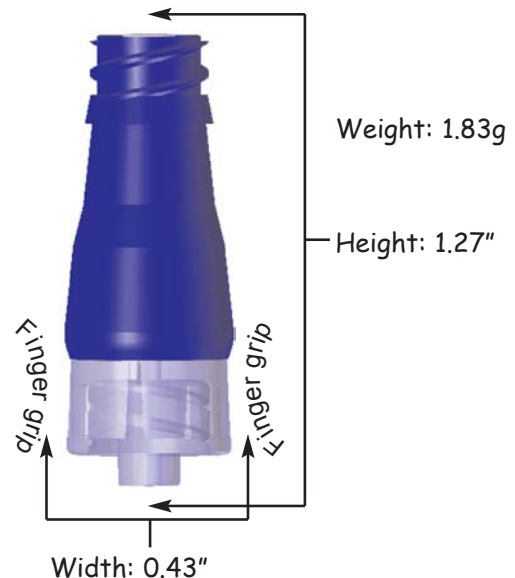
The flow rate is equal with still more than that of an 18gauge needle to facilitate the delivery of viscous blood and fluids.

The most significant improvement to the MicroCLAVE for Pediatrics is the new streamlined design while still providing the popular recess for secure gripping with the fingers. The overall weight is 0.85g less or 32%! The width is 0.1" smaller and the height is marginally taller to accommodate the special designed clear luer lock.



CLAVE

Flow Rate: > 18 Gauge
Deadspace: 0.06cc
Backpressure: 75*psig



MICROCLAVE

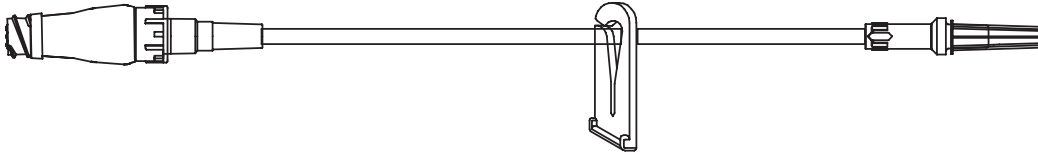
Flow Rate: > 18 Gauge
Deadspace: 0.04cc
Backpressure: 75*psig

MICROCLAVE® Connector Products

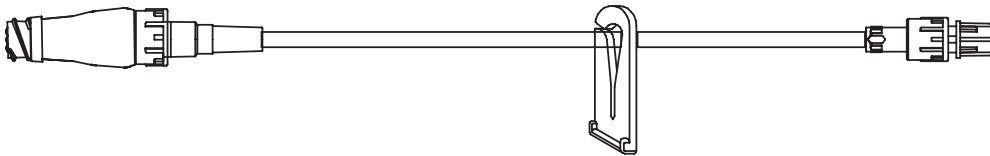
Catalog Number	Case Qty	Description
----------------	----------	-------------



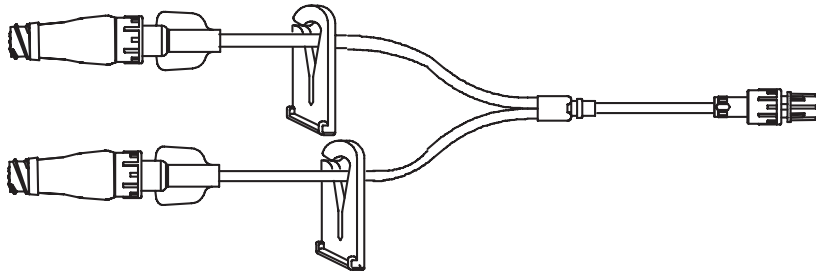
B3300	100	MicroCLAVE Connector with luer lock.
B3300RR	100	MicroCLAVE Connector with red ring and luer lock.



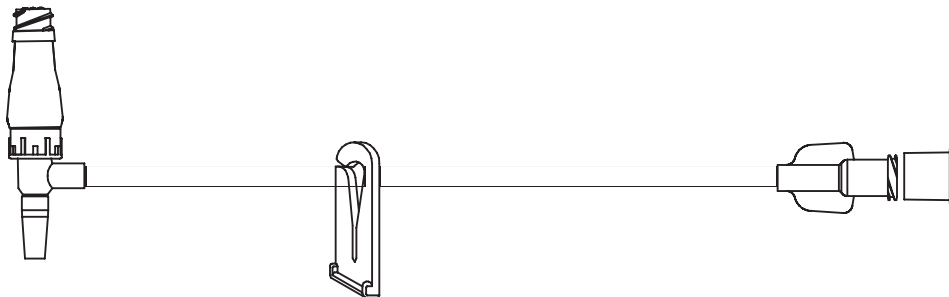
B3301	50	7" Minibore ext set w/ MicroCLAVE, remvbl slide clamp and luer slip.
B3301R	50	7" Minibore ext set w/ remvbl MicroCLAVE, female luer lock, remvbl slide clamp and luer slip.



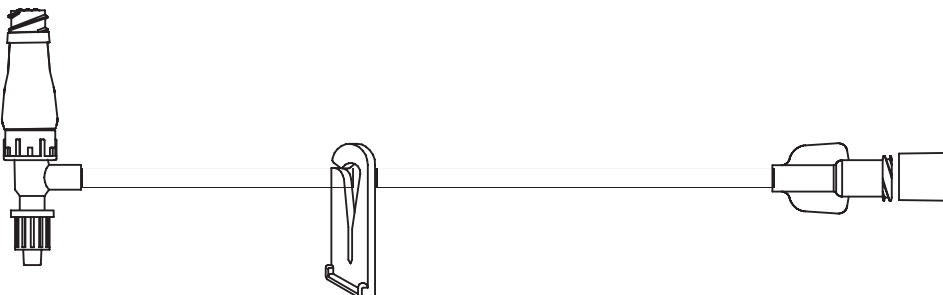
B3302	50	7" Minibore ext set w/ MicroCLAVE, remvbl slide clamp and mini-rotating luer.
B3302R	50	7" Minibore ext set w/ remvbl MicroCLAVE, female luer lock, remvbl slide clamp and mini-rotating luer.



B3322	50	5" Bifurcated minibore ext set w/ two remvbl MicroCLAVEs, remvbl slide clamps and mini-rotating luer.
--------------	----	---



B3303	50	5" Minibore ext set w/ MicroCLAVE luer slip T-conn, remvbl slide clamp and female luer lock.
--------------	----	--



B3304	50	5" Minibore ext set w/ MicroCLAVE rotating luer T-conn, remvbl slide clamp and female luer lock.
--------------	----	--