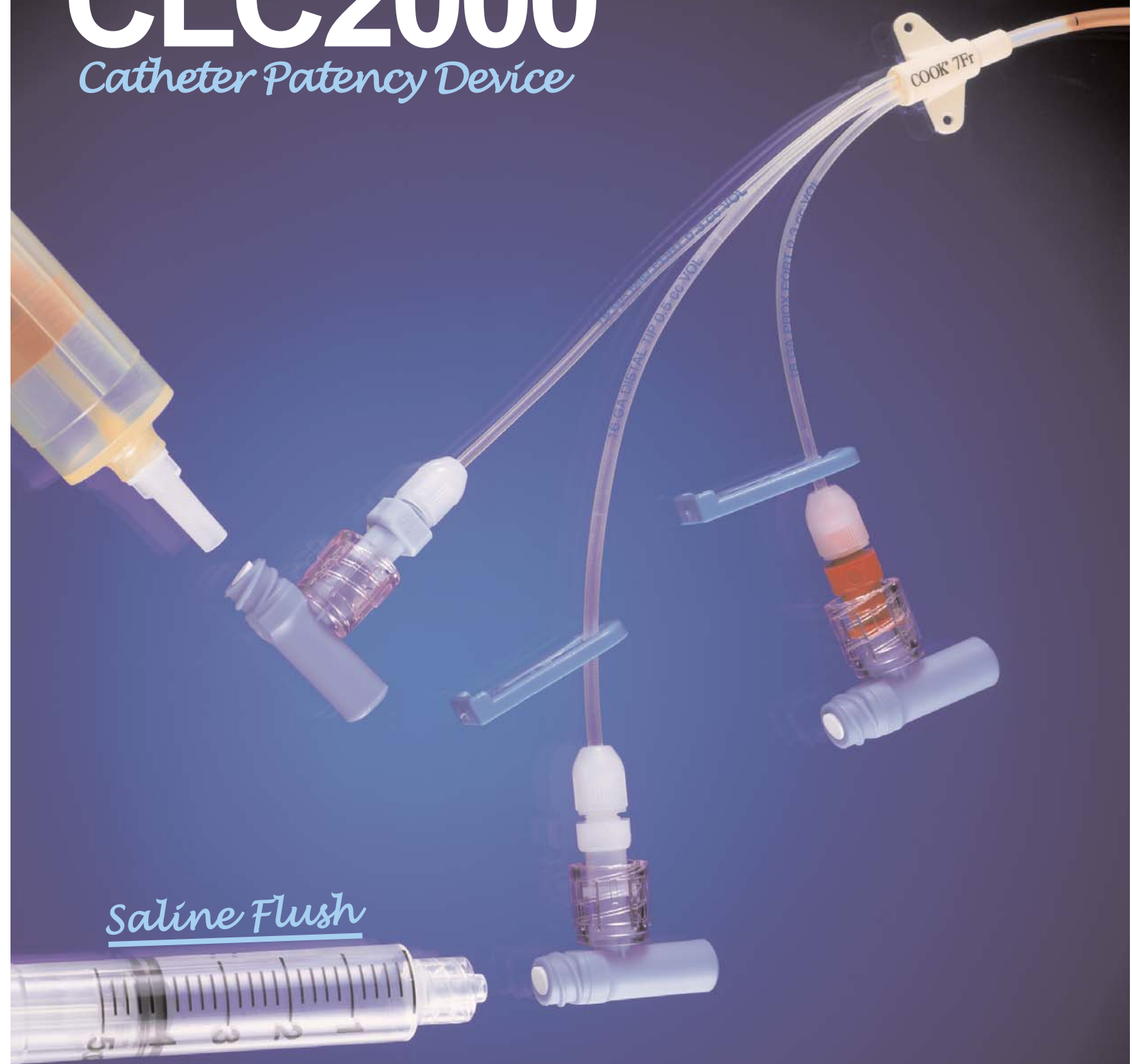


CLC2000[®]

Catheter Patency Device



Saline Flush

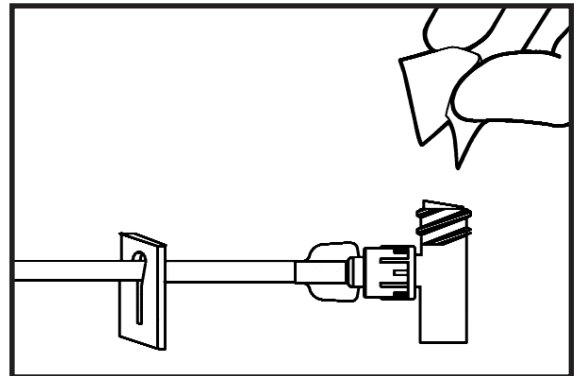
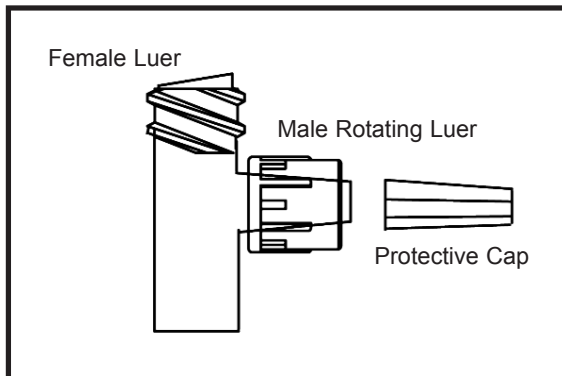
**The Only Connector
Guaranteed to Prevent
Blood Reflux in the
Catheter Lumen**

CLC2000®

For Central, Peripheral and Arterial Lines.

- **One piece swab-able connector**
- **Ultra high flow rates**
- **Low residual volume (dead-space)**
- **Eliminates blood in catheter lumen**
- **Lipid and blood compatible**
- **Latex Free**

Directions for Use



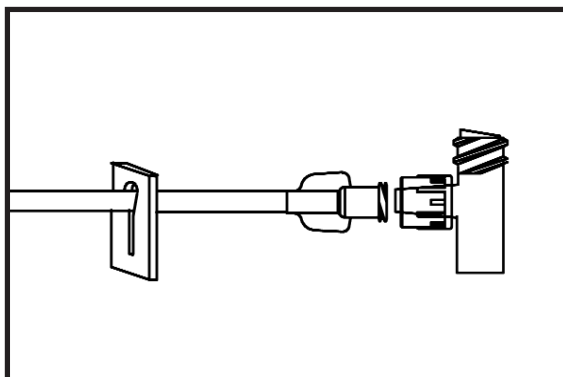
- 1) Using aseptic technique remove CLC2000 from package. Remove protective cap. Do not contaminate.
- 2) Attach a syringe or administration set to female luer and prime CLC2000 in accordance with facility protocol. Invert device to expel air.
- 3) Attach male rotating luer of CLC2000 to desired extension set or venous access device. Push and twist male luer of CLC2000 into device until tight.

NOTE: Once the CLC2000 is secure, it may be rotated to achieve the most comfortable position on the patient's skin.

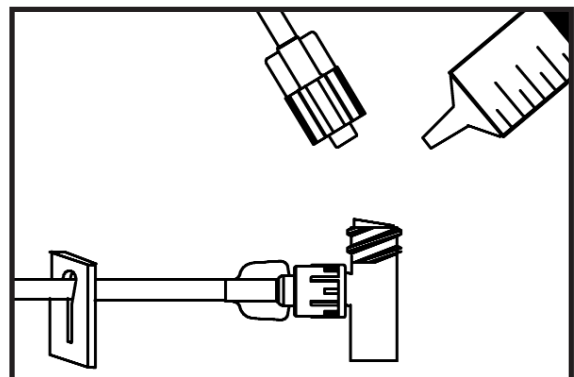
- 5) Attach a fully primed syringe or administration set to CLC2000. Push and twist male luer of device into CLC2000 until tight.

NOTE: If using a rotating luer device, first push and twist luer slip into CLC2000 until tight, then lock down the spin collar. This will ensure a secure connection and optimal flow rates.

- 6) To disconnect from CLC2000, grasp CLC2000 and twist syringe or administration set away from CLC2000 until loose.
- 7) Flush CLC2000 after each use with normal saline, or in accordance with facility protocol.



- 4) To access CLC2000, swab female luer with desired disinfectant in accordance with facility protocol.



- 8) For subsequent connections repeat from step four (4).

CAUTIONS • **DO NOT CLAMP** catheter or extension set while disconnecting syringe or administration set from CLC2000, as this will interrupt the positive displacement. • Do not cap CLC2000. Device is closed. • Do not use needles to access.

• Federal (USA) law restricts this device to sale by or on the order of a physician

• It is recommended this device be changed per CDC guidelines or per validated facility protocol

 **ICU Medical, Inc.**

San Clemente, CA USA
(949) 366-2183 (800) 824-7890 www.icumed.com

US Pat. Nos: 6,245,048; 6,428,520 Other Patents Pending

M1-1046 11/03